

EchoSafe® *Explosion-Proof Level Transmitter*

Specifications

Range:	XP88: 8" to 24.6' (20 cm to 7.5 m) XP89: 8" to 32.8' (20 cm to 10 m)
Accuracy:	± 0.2% of max. range
Resolution:	0.079" (2 mm)
Beam width:	3" (7.6 cm) dia.
Dead band:	XP88: 8" (20 cm) XP99: 8" (20 cm)
Display type:	LCD, 6-digits
Display units:	Inch, cm, ft, m, percent
Memory:	Non-volatile
Supply voltage:	18-28 VDC (loop)
Loop resistance:	250Ω max @ 24 VDC
Signal output:	4-20 mA, two-wire
Signal invert:	4-20 mA or 20-4 mA
Calibration:	Push button (3-button)
Fail-safe:	4 mA, 20 mA, 21 mA, 22 mA or hold last
Process Temp.:	F: -4° to 140° C: -20° to 60°
Temp. comp.:	Automatic
Electronics temp.:	F: -40° to 160° C: -40° to 71°
Pressure:	30 psi (2 bar)
Enclosure rating:	NEMA 4
Enclosure mat.:	Aluminum
Window mat.:	Glass
Transducer mat.:	PVDF
Process mount:	2" NPT
Conduit entrance:	Dual, 1/2" NPT
Compliance:	RoHS
Classification:	Explosion proof
Approvals:	FM: Class 1, Div 1, Groups A, B, C, D Class II/III, Div 1, Groups E, F, G

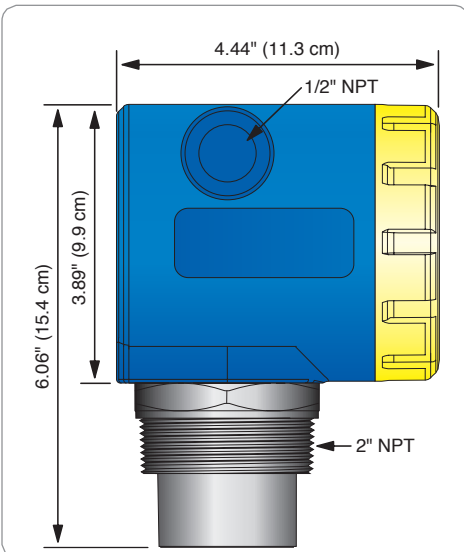


Description

The explosion proof, two-wire ultrasonic transmitter provides non-contact level measurement up to 10 m in hazardous bulk storage, day tank, and sump applications, and is well suited for challenging corrosive, slurry or waste water Media. Application examples include sodium hypochlorite, waste water and resin. The integral display and push button module enable fast and simple calibration.

Features

- ✓ Compact XP enclosure with viewing window and dual conduit ports
- ✓ Narrow 3" beam diameter enables flexible installation in applications with limited measurement space
- ✓ Rugged corrosion resistant PVDF transducer and process mount
- ✓ Fail-safe intelligence with diagnostic feedback for easy troubleshooting
- ✓ Display indicates air gap of level height distance in inch or centimeter



EchoSafe Order

XP8 -0

Sensor range
 8 7.5 m (24.6')
 9 10 m (32.8')
 Process mount (1)
 0 NPT (US)

Notes

- 1) For installation on open tanks, order the LM50-1001 (2" NPT) side mount bracket.