



2300™

Small Size – Big Capability

1/32 DIN Temperature Controller/Indicator

DESCRIPTION

The 2300 is straightforward, easy to use, and designed to offer users a smaller controller without sacrificing functionality. The controller comes equipped with specially developed hands-free PID (easy tune) for excellent general control.

For more specific performance requirements, there is also pre-tune followed by manual fine-tune to get the very best control for a specific application.

APPLICATIONS:

Ideal for temperature control applications requiring a compact, value-priced, easy-to-use general-purpose controller.

INDUSTRIES:

- Industrial and lab ovens/furnaces, plastics and thermal forming
- Form/Fill and seal
- Packaging applications
- And any others where low costs, smaller size and unmatched connectivity are critical requirements.

FEATURES/BENEFITS

- Single, 4-digit, 0.39" LED display
- 1/32 DIN panel mount
- Universal Input for thermocouple, RTD, DC linear mA/mV; user-selectable
- 1 or 2 outputs; relay or SSR driver
- Process or deviation/band alarm functions
- ON/OFF, direct/reverse acting PID Control
- Optional RS-485 serial communications

1/32 DIN Temperature Controller/Indicator

SPECIFICATIONS*

STANDARD FEATURES

Full PID capability
 Single or dual outputs via relay or SSR driver
 Indicator only, indicator with alarm or full controller models available
 One or two alarm outputs
 Universal Input for thermocouple, RTD, DC linear mA/mV

ENVIRONMENTAL CHARACTERISTICS

Operating Temperature: 0 to 55°C, 32 to 131°F
Storage Temperature: -20 to 80°C, -4 to 176°F
Humidity: 20 to 90% RH, non condensing

ELECTRICAL

Line Voltage: 90 to 264VAC, 50/60 Hz standard; 12 to 24VAC 50/60Hz or 12 to 30VDC (optional)
Power Consumption: 4 Watts maximum

INPUTS

Thermocouple types: J, K, T, R, S, B, and N.
RTD: 100 ohm (.00385 Ohm/Ohm/C)
Millivolts: 0 to 50mVDC, 10 to 50mVDC
Milliamps: 0 to 20 or 4 to 20mADC,

OUTPUTS

Relay: SPDT, 2.0 A Resistive @ 120/240VAC
SSR Driver: >10V DC into 500Ω minimum (50mA maximum)

DISPLAY

Digital Display: Four 7 segment LEDs, 0.39" high
Status Indicators: Individual LED indicators for Control, Alarm, and Configuration status

ALARM ADJUSTMENT

Process Alarm: ± Input Span
Deviation Alarm: -1999 to + Input Span
Deviation Band Alarm: 1 to Input Span

CONTROL ADJUSTMENTS

On/Off Hysteresis: 0.1% to 10.0% of Input Span
Proportional Band: 0.5% to 999.9%
Manual Reset: 0% to 100%
Auto Reset: 1 sec to 99 minutes 59 seconds and OFF
Rate: 0 (OFF) to 9 mins. 59 sec
Cycle Time: 0.5 sec (SSR Drive only) 1, 2, 4, 8, 16, 32, 64, 128, 256, and 512 seconds
Control Algorithms: Direct/reverse acting PID or ON/OFF
Automatic Tuning Types: Pre-Tune or EASY TUNE

PERFORMANCE

Measurement Accuracy: ± 0.1% of span, ± 1 LSD at 20 deg C
 Note: Reduced performance with Type "B" thermocouple between 100-600C (212-1112F).
Ambient Temperature Error: 0.01% of span /deg C change in ambient
Linearization Accuracy: (TC and RTD)
 Better than ± 0.2 deg C any point, 0.1 deg C range (± 0.05 deg C typical).
 Better than ± 0.5 deg C any point, any 1 deg C range
Cold Junction Compensation: Better than ± 0.7 deg C
Noise Rejection: Common mode: >120dB at 50/60Hz giving negligible effect at up to 264V 50/60Hz
 Series Mode: >500% of span (at 50/60Hz) causes negligible effects.
Source Resistance: 1000 ohm maximum (thermocouple)
Lead Resistance: 50 ohm per lead maximum balanced (Pt100)

PHYSICAL DIMENSIONS

Dimensions: 1/32 DIN front panel, 100mm (3.9") deep
Weight: 100 g. (3.53 oz.)

COMMUNICATIONS

Type: Serial asynchronous UART-to UART Link
Data Format: 1 start bit, selectable parity (odd, even or none), 8 data bits, 1 stop bit.
Physical Layer: RS-485 (two wire)
Presentation Layer: Modbus RTU protocol
Maximum Number of Zones: 128
Baud Rate: Selectable in range 9600, 4800, 2400, 1200
Zone Address Range: 1 to 128

RATINGS/AGENCY APPROVALS

UL & cUL recognized (E67237), CE

WARRANTY

3 years

* Specifications are for base models with standard features only unless otherwise noted. Specifications subject to change without notice in accordance with our DBS policy of continuous improvement. All product and brand names are trademarks of their respective owners. All rights reserved.

West™ brand and 2300™ are trademarks of Danaher Industrial Controls Group. All rights reserved.
 © 2005 DICG Corp.
 West Brand 2300 Data Sheet (7/05)

WEST™ brand

2300™

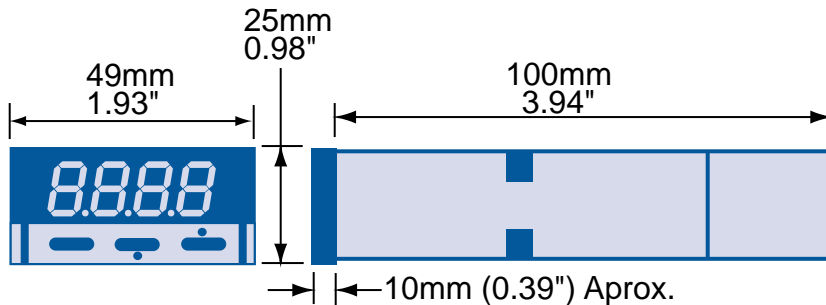
Small Size – Big Capability

1/32 DIN Temperature Controller/Indicator

MODELS

| Code 1: Model # | Code 2: Process & Alarm 1 Outputs | Code 3: Option | Code 4: Display Color/ Line Voltage |
|-------------------------------------------|-----------------------------------------------------------------------------------------------------------------------------------------------------------------------------------------------------------------------------------------------|---------------------------------------------|--------------------------------------------------------------------------------------------------------------|
| N2301Y | □ □ | □ | □ |
| I/32 DIN Temperature Controller/Indicator | 00 Indicator Only 01 Indicator with Relay Output for Alarm 1 02 Indicator with SSR Driver Output for Alarm 1 12 Controller with Relay Output and SSR Alarm 1 Output 21 Controller with SSR Driver Output and Relay Alarm 1 Output | 0 None 1 Relay Alarm 2 2 RS-485 Comms | 0 Green Display 90-264VAC 1 Red Display 90-264VAC 2 Green Display 24V AC/DC 3 Red Display 24V AC/DC |

DIMENSIONS - 1/32 DIN



Mount to panel 6mm (0.24") thick, minimum.
 Panel Cutout: 45mm x 22.5mm (1.77" x 0.89")

* Specifications are for base models with standard features only unless otherwise noted. Specifications subject to change without notice in accordance with our DBS policy of continuous improvement. All product and brand names are trademarks of their respective owners. All rights reserved.

West™ brand and 2300™ are trademarks of Danaher Industrial Controls Group. All rights reserved.

© 2005 DICG Corp.

West Brand 2300 Data Sheet (7/05)

Headquarters: 1675 Delany Road • Gurnee, IL 60031-1282 • USA
 Phone: +1 847.662.2666 • Fax: +1 847.662.6633

Satellite Locations:

North America: North Carolina, South Carolina, Connecticut, Massachusetts, New York, Canada, British Virgin Islands • **Europe:** United Kingdom, Italy, France, Germany, Spain, Slovakia • **Latin America:** Brazil • **Asia:** China, Japan, Korea, Singapore

Customer Service:
 Tel.: +1.800.390.6405
 Fax: +1.910.879.5486
 west.custserv@dancon.com

Technical Support
 Tel.: +1.800.866.6659
 Fax: +1.847.782.5277
 west.techsupport@dancon.com



www.westinstruments.com • www.danaherindustrialcontrols.com

Process Automation Worldwide Brands: LFE™ • Partlow™ • PMA™ • Rustrak™ • West™

Process Automation Worldwide Brands:

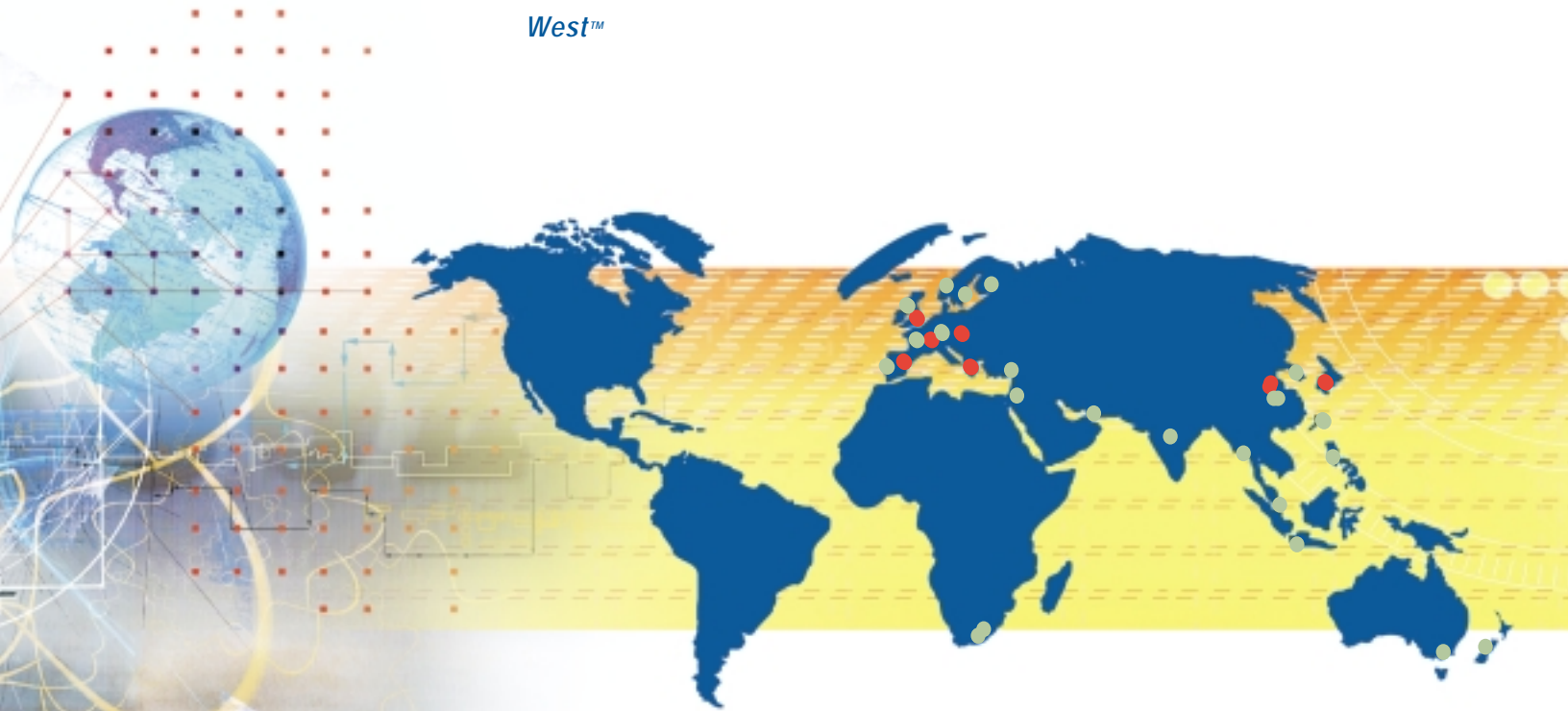
LFE™

Partlow™

PMA™

Rustrak™

West™



More Available. With factories around the world, global sales and applications support, and an expansive network of distributors, we stay close to our customers - shortening lead times and fostering responsiveness. Three-day lead time is standard, with same-day shipments available on many of our products.

More Selection. We have a broad selection of controllers to meet application requirements in a variety of industries. User-configurable, accurate and flexible, with low, mid, or high level performance ranges, our controller products meet your system and budgetary requirements.

More Reliable. Our experience with more than 25,000 customers has taught us to design controllers that are reliable and durable, with quality standards that meet six sigma requirements.

For additional information or a full-line catalog, contact DICG Customer Service or visit our web site.

* Specifications are for base models with standard features only unless otherwise noted. Specifications subject to change without notice in accordance with our DBS policy of continuous improvement. All product and brand names are trademarks of their respective owners. All rights reserved.

West™ brand and 2300™ are trademarks of Danaher Industrial Controls Group. All rights reserved.

© 2005 DICG Corp.

West Brand 2300 Data Sheet (7/05)

Customer Service:

Tel.: +1.800.390.6405

Fax: +1.910.879.5486

west.custserv@dancon.com

Technical Support

Tel.: +1.800.866.6659

Fax: +1.847.782.5277

west.techsupport@dancon.com



www.westinstruments.com • www.danaherindustrialcontrols.com

Process Automation Worldwide Brands: *LFE™* • *Partlow™* • *PMA™* • *Rustrak™* • *West™*