

ABS & Steel Case, Dry



100 SERIES

- General purpose non-fillable dry gauge
- Vacuum and compound ranges through 0 psi to 15,000 psi
- 1-1/2", 2", 2-1/2" and 4" gauge sizes
- Standard impact-resistant ABS & steel case
- Copper alloy and brass wetted parts

OPERATING SPECIFICATIONS

1. Working Pressure Limitations

a. Dynamic Pressure

The working pressure should be limited to 60% of the dial range.

b. Static Pressure

The working pressure, where no sharp fluctuations occur, should be limited to 90% of the dial range

APPLICATIONS

- Hydraulics & pneumatics
- Medical
- Pumps & compressors
- Refrigeration controls
- Utilities
- Water management

	SERIES	SPECIFICATIONS
Pressure ranges	100 Series (all)	Vacuum and compound ranges through 0 psi to 15,000 psi
Accuracy	15-100, 15-110, 15-120, 20-100, 20-110, 20-120, 20-148, 25-100, 25-110, 25-120	± 2.5% full scale
	40-100	± 1.6% full scale
Temperature ranges*	100 Series (all)	Media -4 °F to 140 °F (-20 °C to 60 °C) Ambient -40 °F to 140 °F (-40 °C to 60 °C)
Measuring element	100 Series (all)	Copper alloy Bourdon tube
Connection	15-100, 15-110, 15-120, 20-100, 20-110	1/8" NPT, brass
	20-148	1/8" NPT/10-32 Female, brass
	20-100, 20-110, 20-120, 25-100, 25-110, 25-120, 40-100	1/4" NPT brass SAE J1926-3:7/16-20
Case	15-100, 15-110, 20-100, 20-110, 20-148, 25-100, 40-100	ABS (Acryl Nitril Butadien Styrol)
	15-120, 20-120, 25-120	Black painted steel with chrome triangular bezel and U-clamp
Bezel	15-110, 20-110, 25-110	Built-in bezel, molded as an integral part of the case for ease of panel mounting.
	15-120, 20-120, 25-120	Chrome-plated steel triangular bezel
Lens	100 Series (all)	Acrylic
Pointer	100 Series (all)	Molded plastic
Dial	100 Series (all)	White background with black primary scale & red secondary scale. UV resistant.
Movement	100 Series (all)	Brass & nylon, or all-brass with highly polished bearing surfaces

* For every 18 °F (10 °C) shift in temperature from which the gauge is calibrated, the user can experience up to ±0.4% additional error.

For details on accuracy/standard dial configuration and dial layouts, see pages 54-59.

ORDERING INFORMATION								
GAUGE SIZES	15	1-1/2"	20	2"	25	2-1/2"	40	4"
CASE TYPES	100	ABS, bottom connection	120	Steel case panel mount	148	Square ABS, panel mount (2" only)		
PRESSURE RANGES	30vac	-30 inHg vacuum to 0 psi	30/300	-30 inHg to 0 to 300 psi	200	0 psi to 200 psi	2000	0 psi to 2,000 psi
	30/15	-30 inHg to 0 to 15 psi	15	0 psi to 15 psi	300	0 psi to 300 psi	3000	0 psi to 3,000 psi
	30/30	-30 inHg to 0 to 30 psi	30	0 psi to 30 psi	400	0 psi to 400 psi	5000	0 psi to 5,000 psi
	30/60	-30 inHg to 0 to 60 psi	60	0 psi to 60 psi	600	0 psi to 600 psi	6000	0 psi to 6,000 psi
	30/100	-30 inHg to 0 to 100 psi	100	0 psi to 100 psi	1000	0 psi to 1,000 psi	10000	0 psi to 10,000 psi
	30/160	-30 inHg to 0 to 160 psi	160	0 psi to 160 psi	1500	0 psi to 1,500 psi	15000	0 psi to 15,000 psi
	30/200	-30 inHg to 0 to 200 psi	Other ranges available on request					
SCALE OPTIONS***	psi	psi single scale	psi/kPa	psi/kPa dual scale	psi/kg/cm ²	psi/kg/cm ² dual scale	psi/bar	psi/bar dual scale
CONNECTION SIZES	1/8	1/8" NPT	SST	SAE J1926-3.7/16-20 Adjustable		1/4	1/4" NPT	
OPTIONS	PMC	Panel Mount Clamp	SSC	Stainless Steel Case	LL	Polycarbonate Lens	ST	Stainless Steel Tagging
	SSB	Polished Stainless Steel Bezel	CRC	Chrome Case	GL	Glass Lens*	CPO	Brass Sintered Orifice 20 Micron
	BLRF	Black Rear Flange	FAC	Flat Sided ABS Case	SG	Safety Glass Lens*	BP1	Brass Press Fit Orifice 0.1 mm
	BLFF	Black Front Flange – ABS Case	BCR	Black Cover Ring**	HL	Homalite Lens*	BP3	Brass Press Fit Orifice 0.3 mm
	CFF	Chrome Front Flange – ABS Case	SSCR	Stainless Steel Cover Ring**	SP	Red Set Pointer**	BP8	Brass Press Fit Orifice 0.8 mm
	SBFF	Black Front Flange – Steel Case	CCR	Chrome Cover Ring**	MIP	Maximum Indicating Pointer		
	SCFF	Chrome Front Flange – Steel Case	PCCR	Polished Chrome Cover Ring**	SDM	Silicone Dampened Movement		
	BSC	Black Steel Case	CAR	Chrome Adapter Ring*	LM	Laser Marking		

Please consult your local NOSHOK Distributor or NOSHOK, Inc. for availability and delivery information.

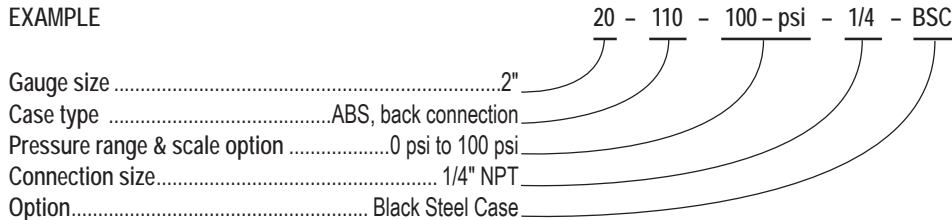
NOTE: Refer to 100 Series options & accessories chart on page 50 for availability by part number.

* A steel, stainless or chrome case & cover ring must be additionally ordered when lenses other than acrylic are utilized on all 100 Series.

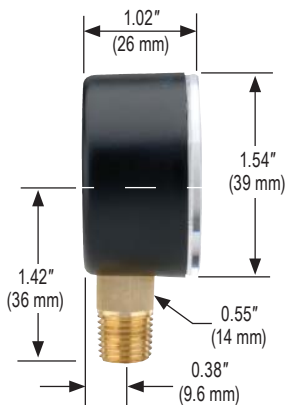
** Only 110 Series require a steel, stainless or chrome case & cover ring to be additionally ordered when utilizing a set pointer or cover ring. Please consult factory when a set pointer is to be utilized on a 120 Series.

*** Other scales available on request

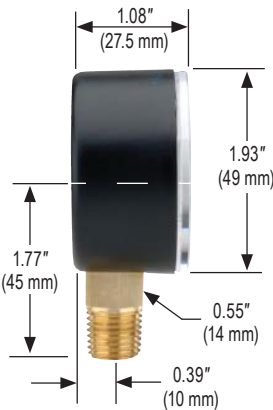
EXAMPLE



15-100



20-100

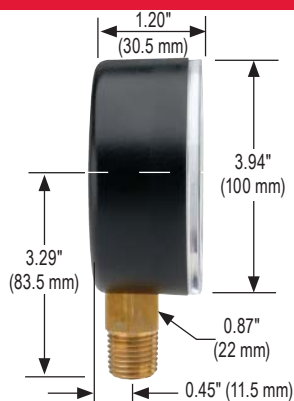


25-100

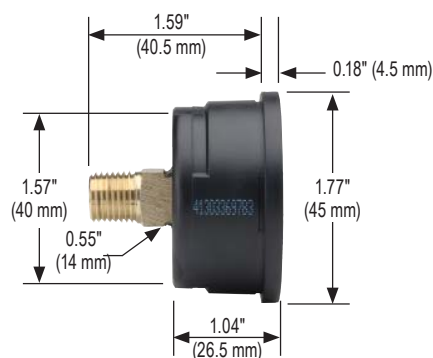


Dimensions

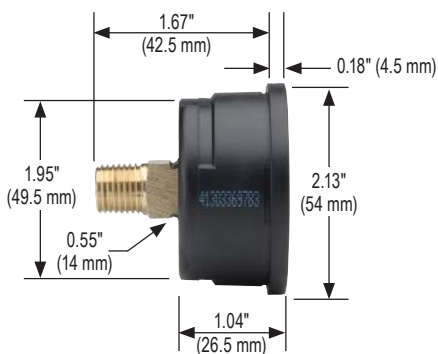
40-100



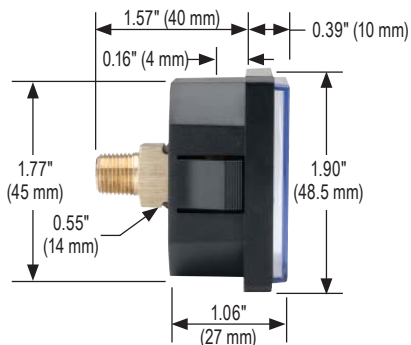
15-110



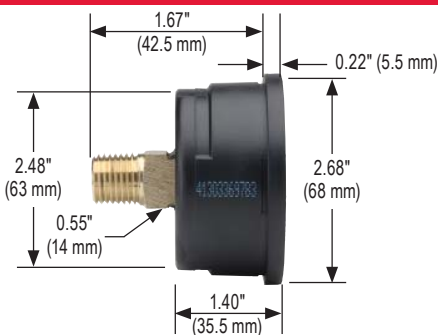
20-110



20-148

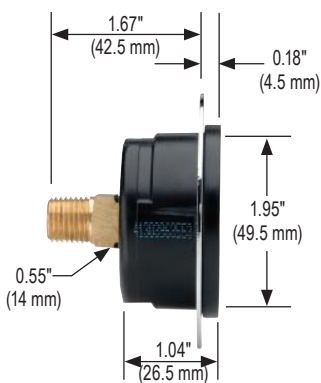
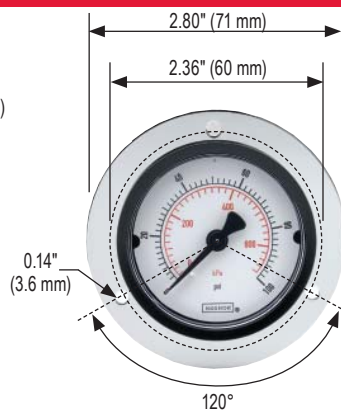
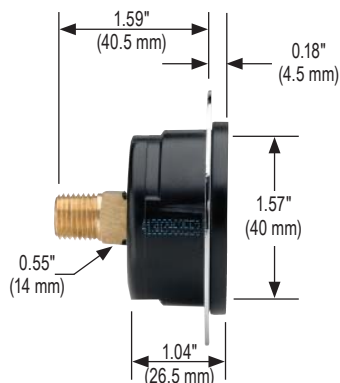
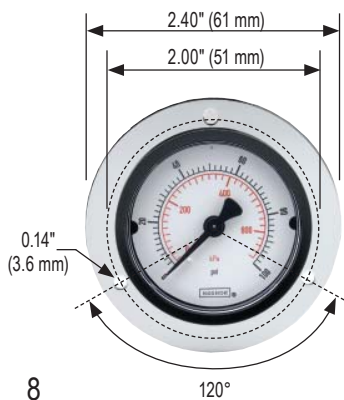


25-110

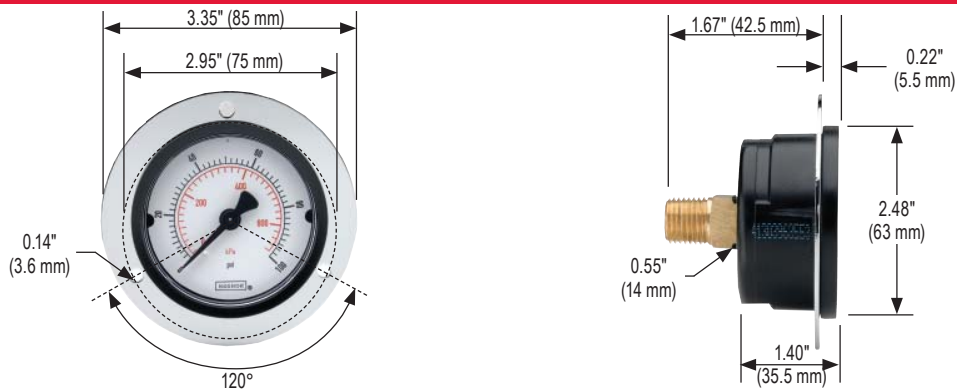


15-110 Front Flange

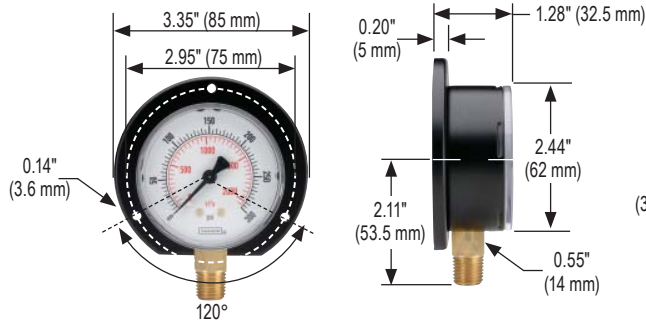
20-110 Front Flange



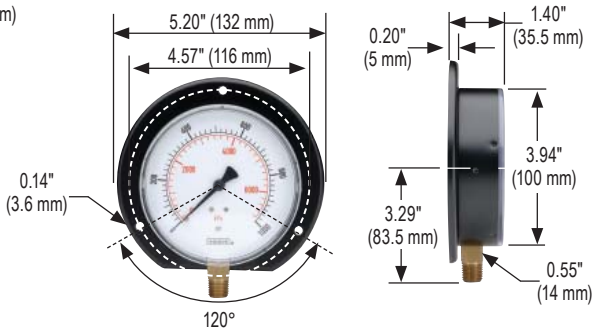
25-110 Front Flange



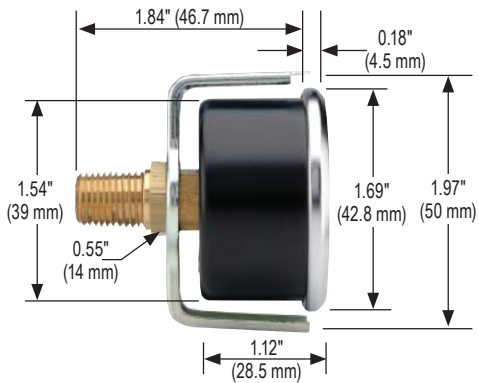
25-100 Rear Flange



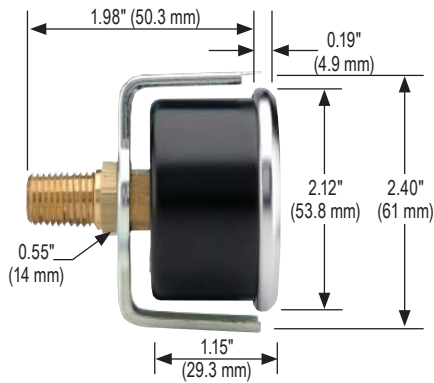
40-100 Rear Flange



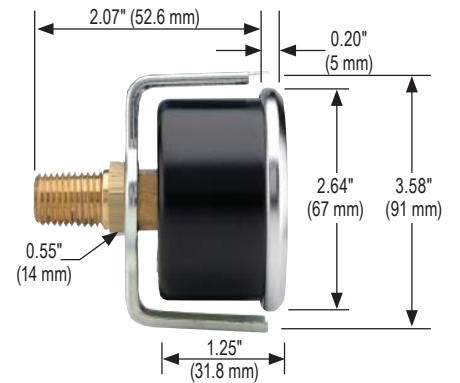
15-120 Chrome Bezel With U-Clamp



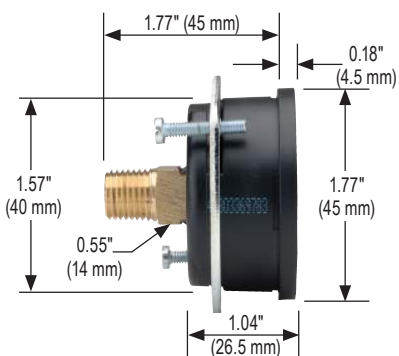
20-120 Chrome Bezel With U-Clamp



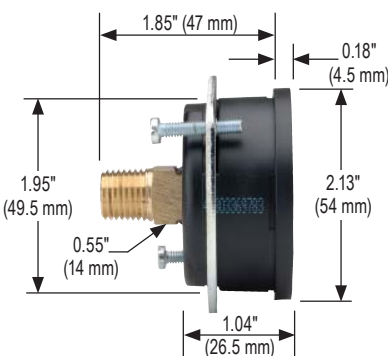
25-120 Chrome Bezel With U-Clamp



15-110 Panel Mount Clamp



20-110 Panel Mount Clamp



25-110 Panel Mount Clamp

