

AMP-1-N

Preamplifier & Signal Conditioners
For NAMUR Sensors

Features

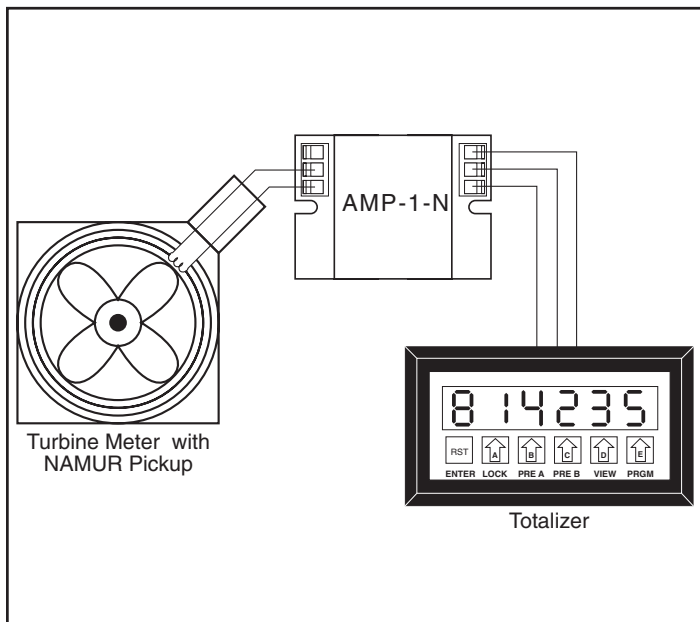
- NAMUR Compatible Sensitivity.
- 100 mA Current Sinking Output.
- 11 to 26 VDC Power Supply Range.
- Easy Mount Metal Housing.
- Screw Terminal Hookup.



Description

The KEP AMP-1-N powers and conditions the low level signals from NAMUR pickups, sensing gear teeth movement or flow, and provides a high level pulse output suitable to drive any KEP ratemeter, counter or controller.

Application



Specifications

Environmental

Operating temperature: 32° to 140° F (0° to 60° C)
Storage temperature: -40° to +85° C
Humidity: 0 - 95% non-condensing

Power Input

Power requirement: 11-26VDC; 30mA maximum
Sensor Supply: 8VDC \pm 1 VDC

Input Characteristics

Input impedance: 1000 ohm nominal
Input frequency : 0 - 10kHz
Input current: High: > 3mA
Low: < 1 mA

Output Characteristics

Output Type: Open collector with internal 2700 ohm pull-up resistor to supply voltage.
Max. sink current: 100mA sink to 1V or less

Approvals:

CE approved; Light Industrial
Fast transient: 500V (capacitive clamp)
EMI: No effects at 3V/m
ESD: 8kV (case grounded)



Kessler-Ellis Products Co. 10 Industrial Way East, Eatontown, NJ 07724
Toll Free: 800-631-2165 • Phone: 732-935-1320 • Fax: 732-935-9344

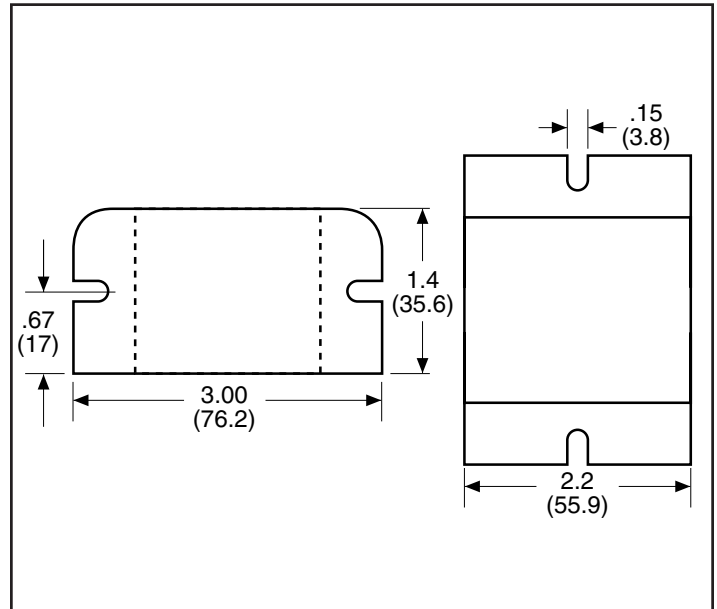
Installation

The AMP-1-N is mounted in a rugged 2" x 3" metal housing with screw terminals for easy installation.

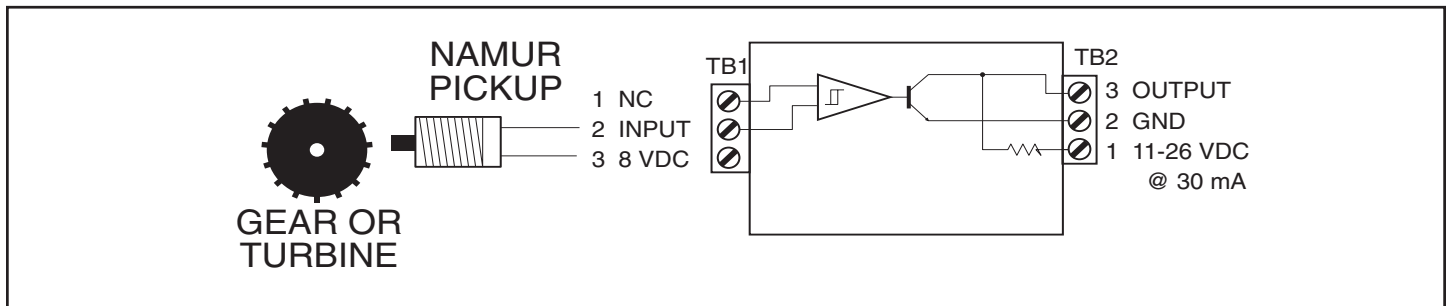
When installing the AMP-1-N the metal case housing must be grounded.

All input and output connections should be run with shielded cable. Connect cable shield to shield terminal of AMP-1-N (TBI pin 1). The signal line from the NAMUR pickup to the AMP-1-N must be less than 100 ft. in length, shielded and separated from relays, solenoids or other sources of electrical noise.

Dimensions:



Sample Hookup :



WARRANTY

This product is warranted against defects in materials and workmanship for a period of two (2) years from the date of shipment to Buyer.

The Warranty is limited to repair or replacement of the defective unit at the option of the manufacturer. This warranty is void if the product has been altered, misused, dismantled, or otherwise abused.

ALL OTHER WARRANTIES, EXPRESSED OR IMPLIED, ARE EXCLUDED, INCLUDING BUT NOT LIMITED TO THE IMPLIED WARRANTIES OF MERCHANTABILITY AND FITNESS FOR A PARTICULAR PURPOSE.

SIMPLY ORDER:

AMP -1-N: Standard unit



KESSLER-ELLIS PRODUCTS
 10 Industrial Way East
 Eatontown, NJ 07724
 800-631-2165 732-935-1320
 Fax 732-935-9344
<http://www.kep.com>