

LCD-H20

Loop Powered LCD Indicator for In-head Mounting



LCD-H20



LCD-H20 is a digital indicator for installation directly in a 4-20 mA loop without need for external power. LCD-H20 is designed for in-head mounting in a sensor connection head with glass window.

The indicator is equipped with high-contrast, easy-to-read LCD digits. The scale is easily programmable, without reference signal, by three pushbuttons for any values between -1999 and 9999.

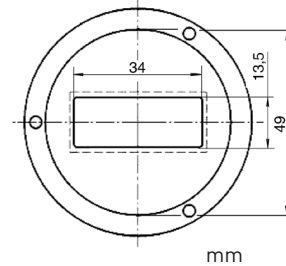
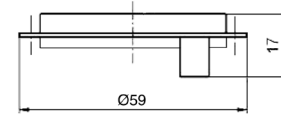
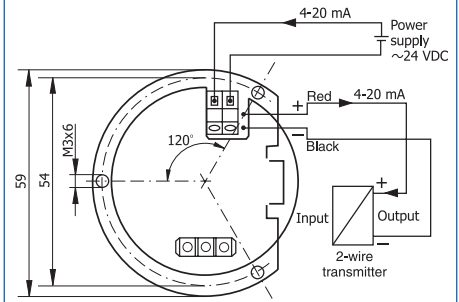
As an option, LCD-H20 can be delivered mounted in a connection head.

- Installation directly in a 4-20 mA loop without need for power supply
- 2.5 V voltage drop
- High-contrast, 4-digit LCD display with 12 mm digits
- Simple pushbutton scaling without reference signal
- Any range between -1999 to 9999 for 4 to 20 mA input
- Labels for different engineering units are included
- Typical accuracy of 0.1 % allows for high precision read-outs
- HART transparent
- Designed for ambient temperatures between -20 to +70 °C / -4 to +158 °F
- Protection IP65 when mounted in connection head Type 1 or Type 2

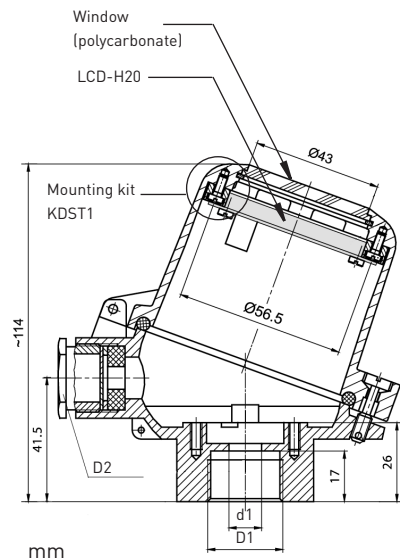
Specifications:

Input Current	4 - 20 mA
Operating range	3.8 - 22 mA
Voltage drop	2.5 V
Indication	
Display	Black LCD with 4 digits incl. minus sign
Digit Height	12 mm
Indication range	Any range between -1999 to 9999
Decimals	Selectable, 0 to 3
Engineering units	Set of labels included (including blanks)
Response time	Adjustable 0.25 s to 2 s
Scale setting	3 pushbuttons
Operating temperature	-20 to +70 °C / -4 to +158 °F
Typical accuracy	±0.1 % of programmed span ±1 digit
Dimensions	Diameter 59 mm, thickness 20 mm
Protection	IP20 (IP65 in connection head)
Connection	Stranded, ≤ 1 mm ² , AWG 16
Mounting	Connection head Type 1 or Type 2 with mounting kit KDST1

Connections/Dimensions Indicator



Dimensions connection head



	D1	d1	D2
Head Type 1	M24x1.5	14	M20x1.5
Head Type 2	½"NPT	17	¾"NPT

Ordering information

LCD-H20 indicator only	70LCDH2001
LCD-H20	
in connection head Type 1	70LCDH2011
in connection head Type 2	70LCDH2011US
Configuration	70CAL00001