



DUAL CHANNEL ISOLATION AMPLIFIER for mA / V Signals

MAIN FEATURES

DA562 is specially designed for signal isolation and load amplification in the process industry.

Two independent and galvanically isolated channels allow for high-density mounting. DA562 maintains a high isolation level (1,5 kV) between input, output and the two channels. Current and voltage can be chosen independently as input and output signals.

Applications

- Galvanic isolation, when a mA signal is connected, to more than one measurement or monitoring system.
- Conversion of measurement range 0-20 mA to 4-20 mA or vice versa.
- Load amplification and isolation when extra high load capacity is needed.

Two isolated channels

The two channels are fully isolated from each other and can be individually adjusted regarding input and output ranges.

Configuration flexibility

DA562 is designed for the most usual input and output process signals, such as mA and V.

Input and output ranges are changed with the help of jumper connections, and a simple instruction table. Fine adjustment of the amplifiers zero point and span can be made with potentiometers accessible from the front of the unit.

Noise immunity

DA562 meets the high demands from the process industry of good EMC performance. Criterion A applies for all EMC tests, which means that the amplifier stays within specifications during EMC influence.

Test connections

The mA output signal can be measured on the front terminals with a low-ohm mA instrument without breaking the output circuit.

Plug-in, screw terminals

DA562 is connected via plug-in screw terminals. The terminal blocks and cables are easy to disconnect from the unit for convenient dismantling and service. Installation is simplified by connection diagrams on the front panel.

Compact mounting on DIN-rail

DA562 snaps on to a 35 mm DIN-rail and can be mounted with high density.

INOR PROCESS AB

PO Box 9125, S-200 39 Malmö, Sweden, **PHONE** +46-40-31 25 60, **FAX** +46-40-31 25 70, **E-MAIL** support@inor.se **WEB** www.inor.se

INOR TRANSMITTER GmbH

Rodenbacher Chaussee 6, Gebäude 805, D-63457 Hanau-Wolfgang, **PHONE** +49-6181-582940, **FAX** +49-6181-582944,

E-MAIL inor.gmbh@t-online.de

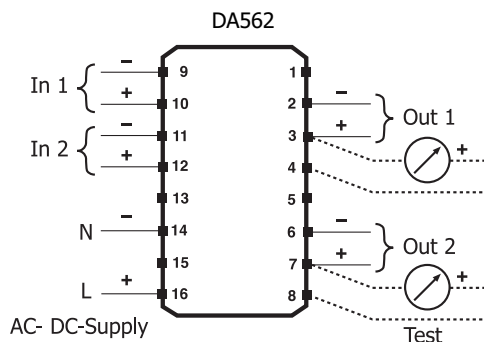
INOR TRANSMITTER Inc.

1860 Renaissance Blvd., Suite 203, Sturtevant, WI 53177, USA, **PHONE** +1-262-884-4535, **FAX** +1-262-884-4537, **E-MAIL** sales@inor.com

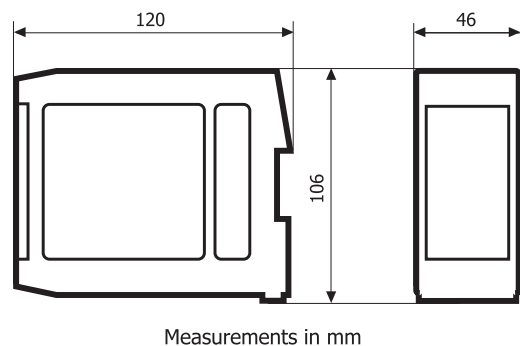
SPECIFICATIONS DA562

INPUT, CHANNEL 1 & 2		
Voltage		0(0.2)-1 V, 0(1)-5 V, 0(2)-10 V
Current	Input impedance	1 Mohm
	Input impedance	0(4)-20 mA (standard settings)
Maximum input level		11.9 ohm
		200 % of measurement span
OUTPUT, CHANNEL 1 & 2		
Voltage		0(0.2)-1 V, 0(1)-5 V, 0(2)-10 V, short circuit protected
Current	Minimum load	500 kohm (error effect <0.1 %)
	Voltage limitation	Appr. 56 V
Response time	Maximum load	0(4)-20 mA, open or short circuit protected (standard settings)
	Current limitation	600 ohm
	Test output	Appr. 23 mA
Ripple		mA instrument, $R_i \leq 10$ ohm
		Appr. 25 ms
	T(90 %)	Appr. 100 ms
		Max. 50 μ A, 5 kHz
ENVIRONMENT CONDITIONS		
Ambient temperature	Operation	-20 to +60 °C
	Storage	-25 to +70 °C
Humidity		0 to 95 %RH
EMC	EN 50081-2, EN 50082-2 (Industrial)	Criterion A (within specifications)
LVD	IEC 1010-1	Installation category III, maximum 250 V
GENERAL DATA		
Galvanic isolation	AC & DC version	
	Input to output	1 500 VAC, 1 min
	Input/output to power supply	2 200 VAC, 1 min
	Between channels	1 500 VAC, 1 min
Power supply	AC version	230 VAC, -15..+10 %, 45..75 Hz,
	DC version	19 to 60 VDC
Power consumption		4 VA
ACCURACY		
Calibration		± 0.1 % ¹⁾
Linearity		± 0.1 % ¹⁾
Repeatability		± 0.05 % ¹⁾
Temperature influence		± 0.15 % ¹⁾ / 10 °C
Supply voltage influence		± 0.05 % ¹⁾ within variation range
Long-term stability	First 3 months (burn-in)	± 0.2 % ¹⁾ / year
	After 3 months	± 0.05 % ¹⁾ / year
HOUSING		
Weight		Appr. 500 g
Protection		IP 20
Connection	Plug-in terminals	Stranded, ≤ 2.5 mm ² , AWG 14
Mounting		Rail acc. to DIN EN 50022, 35 mm
¹⁾ Of input span		

CONNECTIONS



DIMENSIONS



ORDERING INFORMATION

DA562 230 VAC
DA562 19-60 VDC
Configuration

51MOE00008
51MOE00009
70CAL00001

DISTRIBUTION