

## Application



The general purpose sump float level switch provides reliable liquid level detection and is perfect for simple liquid level control for filling or draining reservoirs and tanks. LV41 float switches are universally used for pump automation due to reliability, inexpensiveness and ease of installation.



## Features

- ✓ Mechanically actuated float switch intended for automatic start / stop of electrical components
- ✓ Submersible polypropylene body and PVC cable for corrosive liquids
- ✓ 10 (8) A @ 250 VAC dry contact selectable NO or NC state via wiring selection
- ✓ Compatible with counter weights and cable hangers for simple installation

## Key Benefits

- ✓ Ideal for simple liquid level control for filling or draining reservoirs and tanks
- ✓ Float can wire directly to PLC/ SCADA or controller

## Compatible Products

### Switch-Pro™ Remote Level Controller



**LC4X**

### Application

Available in general purpose classification, the level controller is offered in three configurations for pump and valve control. The LC40 accepts one level sensor input and provides one 10A relay. The LC41 accepts two level sensor inputs and provides one latching 10A relay for automatic fill or empty control. The LC42 accepts three level sensor inputs with one latching 10A relay output for automatic fill or empty control, and a second non-latching 10A relay for high level alarm or low level alarm. For field mount installation, add a single or dual indicator NEMA box.

### Switch-Pro™ Compact Level Controller



**LC1X**

### Application

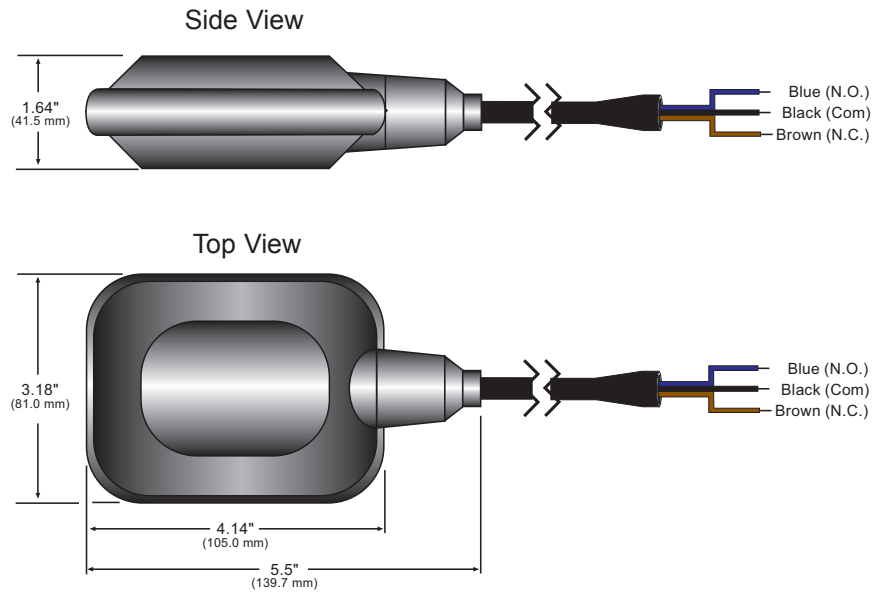
The general purpose level controller is offered in two configurations for pump and valve control. The LC10 accepts one level sensor input and provides one 16A relay for high level control or low level control. The LC11 accepts two level sensor inputs and provides one latching 16A relay for automatic fill or empty control. The optional flash alarm brings attention to level alarm conditions. Package this level controller with our liquid level switch sensors and fittings.

**Specifications**

Orientation: Vertical  
 Service: Compatible liquids  
 Contact type: SPDT (NO/NC)  
 Contact rating: 10 (8) A @ 250 VAC  
 Process temp.: F: 32° to 122°  
 C: 0° to 50°  
 Pressure: 14.5 psi (1 bar)  
 Sensor rating: NEMA 6 (IP68)  
 Sensor material: Polypropylene  
 Cable jack. mat.: PVC

Weight (housing): 2.4 lb (1.1 kg)  
 Weight (cable): 0.77 lb (21.27g) per foot  
 Classification: General purpose  
 Compliance: CE

**Dimensions**



**Accessories**

For enhanced flexibility and performance, use these recommended accessories.

	P/N	Description
	LV49-7000	Counter Weight
	LV49-9000	Cable Hanger
	LD90-1000	Cable Enclosure, PP
	LD90-5000	Cable Enclosure, PVDF

**Ordering**

LV41-7   1

Notes

**Cable length**  
 20 20' of cable  
 50 50' of cable