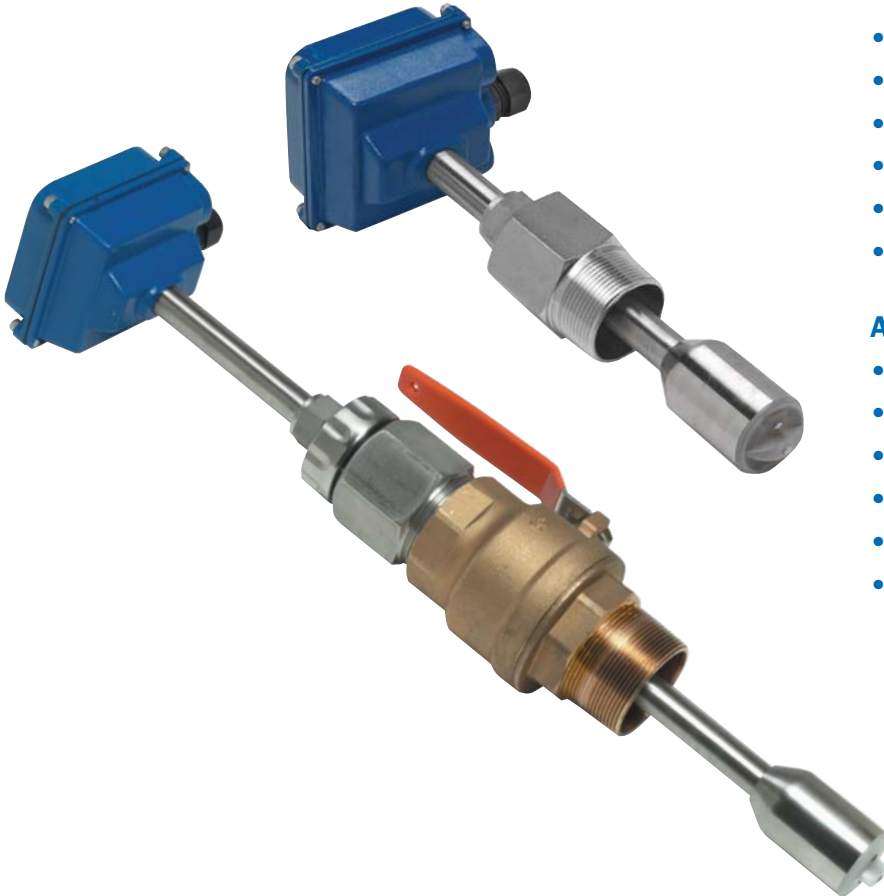




## EX100/200-SERIES Insertion Electromagnetic Flow Sensor

**ISO 9001:2008  
CERTIFIED**



### FEATURES

- No moving parts
- Durable
- Adjustable depth
- Hot-tap available
- Brass or stainless steel
- Immersibility available
- Reverse flow output available

### APPLICATIONS

- 3"- 48" pipe (up to 72" optional)
- Clean or "dirty" liquids
- Conductive liquids
- Municipal
- Industrial
- Irrigation

### GENERAL INFORMATION

The complete lack of moving parts of the **EX100/200-Series** insertion flow sensor is the source of its reliability. Brass and stainless steel models withstand a variety of temperature, pressure, and chemical conditions. The EX-Series has no rotor to stop turning in dirty water and there are no bearings to wear out. Like all magmeters, when used in chemical injection applications, these meters should be installed upstream of the chemical line (or far enough downstream to allow complete mixing of fluids before the meter).

A rapidly reversing magnetic field is produced in the lower housing. As the fluid moves through this field, a voltage is generated that is measured and translated into a frequency signal proportional to flow rate. This square wave signal can be sent directly to a PLC or other control or can be converted using any of the Seametrics family of indicators and converters.

A modular system of electronics can be attached directly to the flow sensor or remotely mounted. The Seametrics FT420 provides full indication of rate and total, plus 4-20 mA output. The A055 provides blind 4-20 mA output, and the DL76 is a battery-powered data logger.

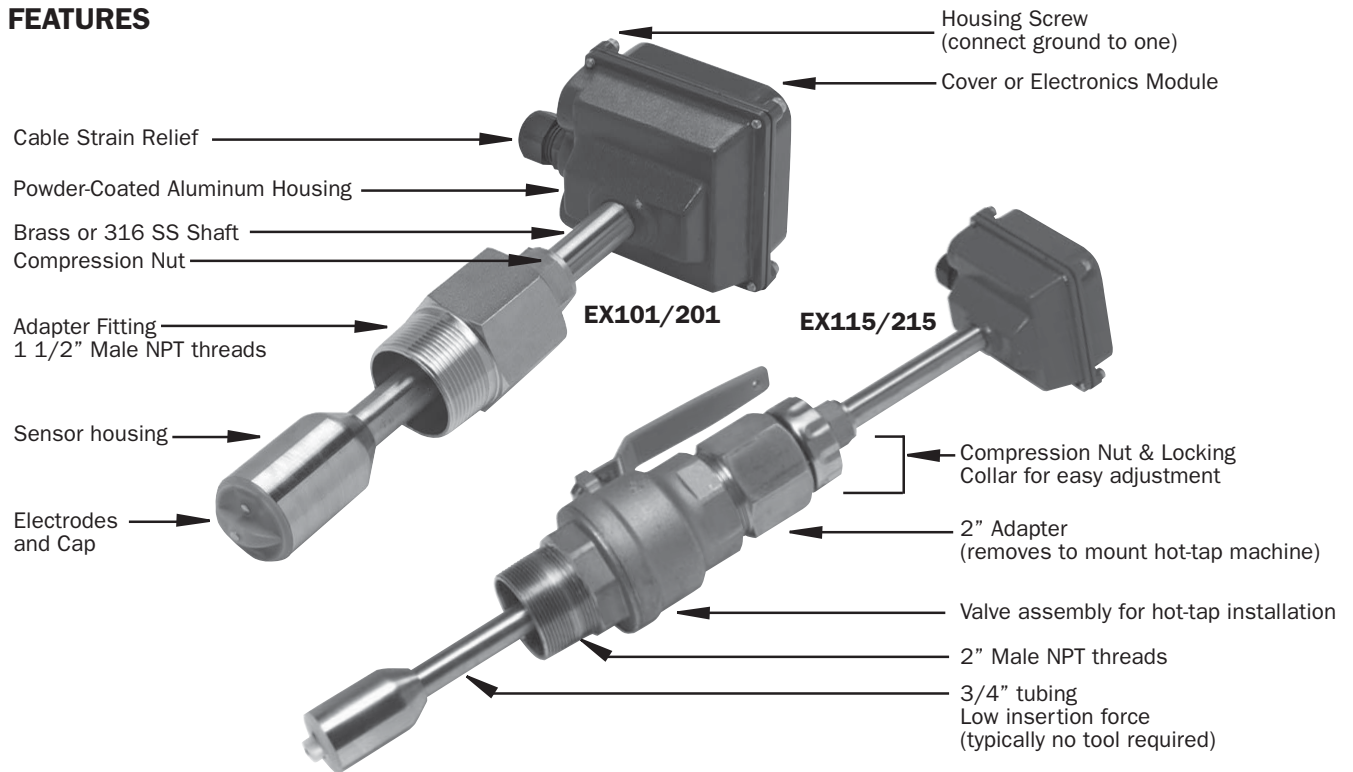
The adapter fitting of the EX sensor is standard male NPT, and can be directly threaded into ordinary saddles or threaded weld fittings. The EX115 and 215 include an isolation valve, allowing hot-tap installation, or installation and removal under pressure; a bronze ball valve is standard, with a 316 stainless steel valve option if needed.

Reverse flow output and immersibility are optional.



# EX100/200-SERIES Insertion Electromagnetic Flow Sensor

## FEATURES



## SPECIFICATIONS\*

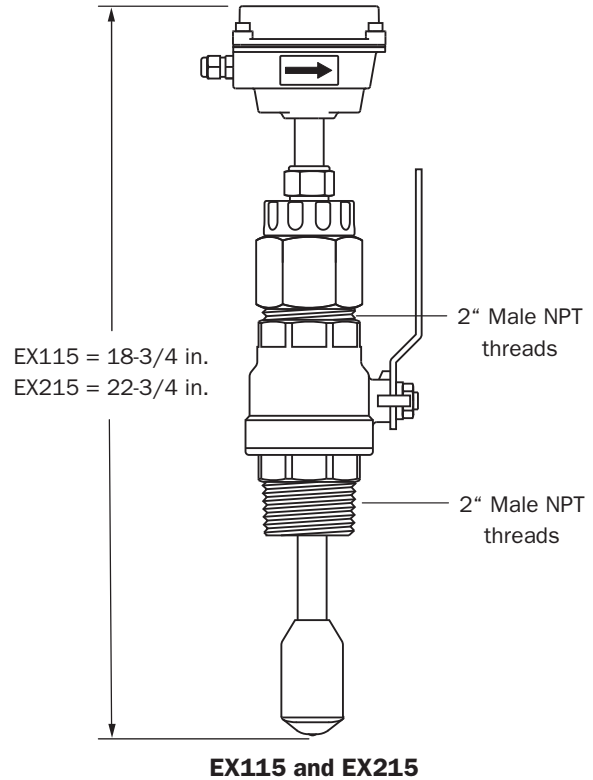
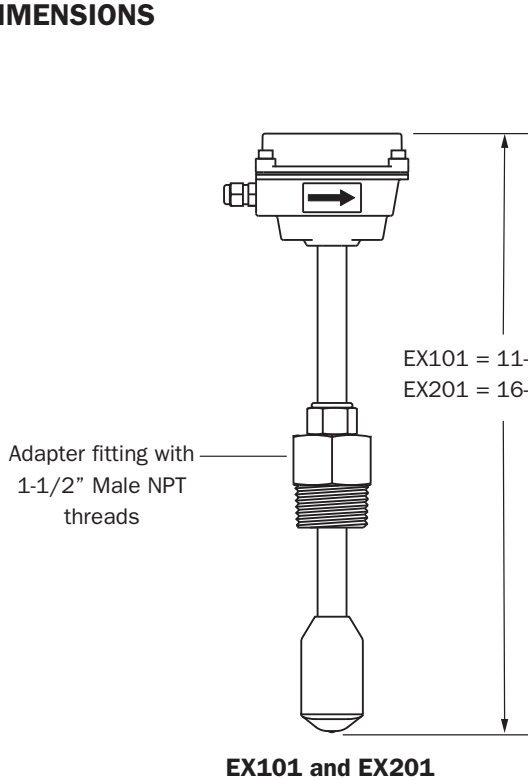
<b>Pipe Sizes</b>	3" to 48" (up to 72" optional)	
<b>Materials</b>	<b>Shaft/Fitting</b>	316 SS or Brass
	<b>Electrodes</b>	Hastelloy
	<b>Electrode Cap</b>	PVDF
	<b>Housing</b>	Cast powder-coated aluminum
	<b>Valve Assembly (115/215 Only)</b>	Bronze (stainless optional) with bronze ball valve
	<b>O-Ring (115/215 Only)</b>	EPDM
<b>Power</b>	<b>Full Power</b>	12-25 Vdc, 250 mA
	<b>Low Power</b>	12-25 Vdc, 40 mA average with 250 mA peaks
<b>Flow Range</b>	0.28 to 20 ft/sec (0.08 - 6.09 m/sec)	
<b>Fitting Size</b>	<b>EX101/201</b>	<b>EX115/215</b>
	1-1/2" Male NPT	2" Male NPT
<b>Temperature</b>	<b>Ambient</b>	0° to 160° F (-17° to 72° C)
	<b>Fluid</b>	32° to 200° F (0° to 93° C)
<b>Pressure</b>	200 psi (13.8 bar)	
<b>Minimum Conductivity</b>	20 microSiemens/cm	
<b>Calibration Accuracy</b>	+/- 1% of full scale	
<b>Output</b>	Square wave pulse, opto isolated, 550 Hz @ 20 ft/sec 6 mA max, 30 Vdc forward flow standard; reverse flow optional	
<b>Empty Pipe Detection</b>	Software, defaults to zero flow	
<b>Regulatory</b>	CE Mark	

\*Specifications subject to change • Please consult our website for current data ([www.seametrics.com](http://www.seametrics.com)).

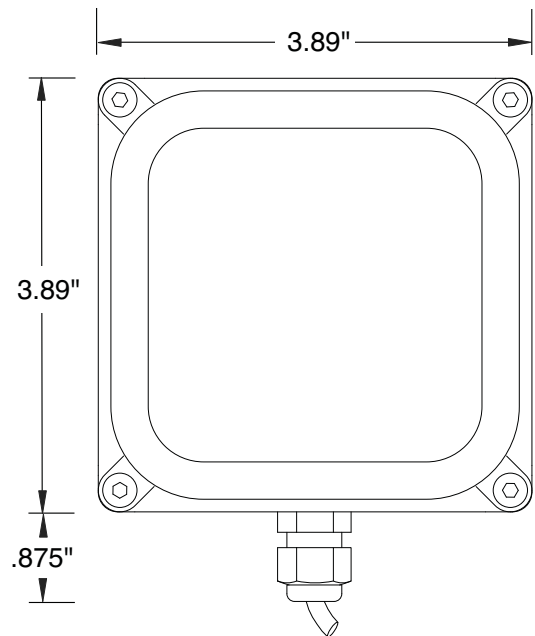


# EX100/200-SERIES Insertion Electromagnetic Flow Sensor

## DIMENSIONS



Flow Range (GPM)		
Nominal Pipe Size	Min. Flow	Max. Flow
3	6	440
4	11	783
6	25	1,762
8	44	3,133
10	69	4,895
12	99	7,050
14	134	9,596
16	175	12,533
18	222	15,863
20	274	19,584
24	395	28,200
30	617	44,064
36	888	63,452
48	1,580	112,804





# EX100/200-SERIES Insertion Electromagnetic Flow Sensor

## HOW TO ORDER

MODEL	MATERIAL	OPTIONS
3" - 10" pipe size = <b>EX101</b> 10" - 48" pipe size = <b>EX201</b> 3" - 10" hot tap = <b>EX115</b> 10" - 48" hot tap = <b>EX215</b>	Brass = <b>B</b> 316 stainless steel = <b>S</b>	Adapter fitting, 2" threads (101/201 only) = <b>-02</b> Stainless valve assembly (115/215 only) = <b>-08</b> No valve assembly (115/215 only) = <b>-09</b> Reverse flow output = <b>-15</b> *Immersible = <b>-40</b> Low power option = <b>-50</b> 12" extension (201 & 215 only) = <b>-72</b>
<b>ACCESSORIES</b>		
Rate & Total Indicator w/4-20 mA output = <b>FT420</b>	Data Logger = <b>DL76</b>	
Blind 4-20 mA Transmitter = <b>AO55</b>	Saddle Fittings = <b>Consult Factory</b>	
Pulse Divider = <b>PD10</b>	Dual Power Supply, 110-115 Vac, 24 Vdc = <b>PC42</b>	

\*Consult factory for suitable applications

## CONTACT YOUR SUPPLIER