

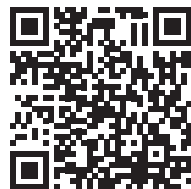
Industrial Pressure Transducer Series: PT-L1/L3/L10



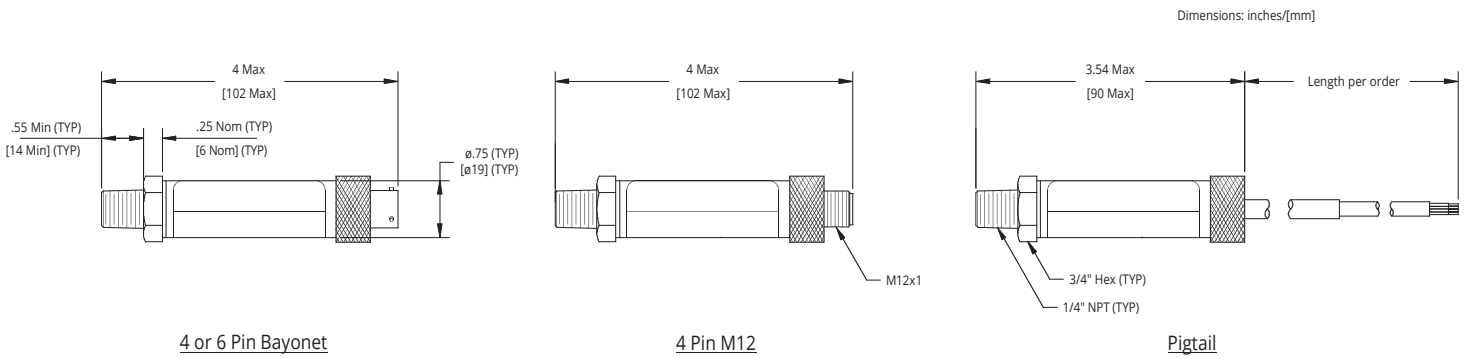
Our amplified output pressure transmitters are the economical answer for all applications requiring high accuracy and reliability over a wide range of pressures. The PT-L1/L3/L10 pressure transmitters offer ranges from vacuum to 10,000 psi, all stainless steel construction, high burst pressure, and high accuracy.

Features

- Cost effective
- High overpressure capability
- Zero and span adjustments
- Single piece stainless steel process fitting and sensor



PT-L1/L3/L10 Specifications



Performance

- Accuracy
B.F.S.L. $\leq 0.25\%$ of full scale
NIST up to $\pm 0.1\%$ available on select ranges
- Temp Compensation Range:
Up to $0^\circ - 130^\circ\text{F}$ ($-17^\circ - 54^\circ\text{C}$)
- Extended Temp Compensation Ranges: (Optional)
 $-40^\circ - 180^\circ\text{F}$ ($-40^\circ - 82^\circ\text{C}$)
 $0^\circ - 185^\circ\text{F}$ ($-17^\circ - 85^\circ\text{C}$)

Connectivity

- Output:
4-20 mA
0-5 VDC
1-5 VDC
1-6 VDC
0-10 VDC
- Internet Connectivity:
RST-5003 (4-20 mA version only)

Electrical

- Supply Voltage:
4-20 mA: 10 - 36 VDC
0-5 VDC: 9 - 33 VDC
1-5 VDC: 9 - 33 VDC
1-6 VDC: 9 - 33 VDC
0-10 VDC: 14 - 33 VDC
- Electrical Protection:
Reverse polarity

Physical

- Material: 15-5, 17-4, or 316L SS

Programming

- Field Calibration:
Zero and Span adjust

Common Model Configurations

4-20 mA Output

Model Number	Model Description
PT-L1-C-15-PSIA-E5-5-P0-N0-M1-V0-K0-S0	0-15 PSI, Absolute Pressure Reference, 1/4" NPTM, 316L SS, 5 ft. cable
PT-L1-C-60-PSIA-E5-5-P0-N0-M1-V0-K0-S0	0-60 PSI, Absolute Pressure Reference, 1/4" NPTM, 316L SS, 5 ft. cable
PT-L1-C-5-PSIG-E5-5-P0-N0-M1-V0-K0-S0	0-5 PSI, Gauge Pressure Reference, 1/4" NPTM, 316L SS, 5 ft. cable
PT-L1-C-30-PSIG-E5-5-P0-N0-M1-V0-K0-S0	0-30 PSI, Gauge Pressure Reference, 1/4" NPTM, 316L SS, 5 ft. cable
PT-L1-C-100-PSIG-E5-5-P0-N0-M1-V0-K0-S0	0-100 PSI, Gauge Pressure Reference, 1/4" NPTM, 316L SS, 5 ft. cable
PT-L1-C-50-PSICG-E5-5-P0-N0-M1-V0-K0-S0	0-50 PSI, Compound Gauge Reference, 1/4" NPTM, 316L SS, 5 ft. cable
PT-L1-C-500-PSICG-E5-5-P0-N0-M1-V0-K0-S0	0-500 PSI, Compound Gauge Reference, 1/4" NPTM, 316L SS, 5 ft. cable
PT-L1-C-1000-PSIS-E5-5-P0-N0-M2-V0-K0-S0	0-1,000 PSI, Sealed Gauge Reference, 1/4" NPTM, 17-4 SS, 5 ft. cable
PT-L1-C-5000-PSIS-E5-5-P0-N0-M2-V0-K0-S0	0-5,000 PSI, Sealed Gauge Reference, 1/4" NPTM, 17-4 SS, 5 ft. cable
PT-L1-C-10000-PSIS-E5-5-P0-N0-M2-V0-K0-S0	0-10,000 PSI, Sealed Gauge Reference, 1/4" NPTM, 17-4 SS, 5 ft. cable

Accessories

Please order separately, by part number.

Description	Part Number
4-pin bayonet mating connector (E3)	509010*
4-pin female (M12) mating connector (E4) **Specify X as 2 or 5 m cable	135407-000X
6-pin circular mating connector (E1)	509110*
6-pin bayonet mating connector (E17)	509165*

*To order a connector with cable you will need to specify the operation and cable length by adding "00XX" to the part number (XX=cable length).

- Specify cable: 2, 5, 10, 25 or 50 ft

Example: 509010-0025 = 4-pin bayonet mating connector (E3) with 25 feet of cable

Model Configuration Options



Model Number: PT- _____ - C - _____ - _____ - _____ - _____ - _____ - _____ - _____ - _____ - _____ - _____
 A B C D E F G H I J K L

A. Operation

- L1** 4-20 mA
- L3** 0-5 VDC
- L10** 0-10 VDC
- L11** 1-6 VDC
- L12** 1-5 VDC
- L21** 1-10 VDC

B. Common Pressure Ranges - PSI*

- | | | | | |
|------------------------------------|-------------------------------------|-------------------------------------|--------------------------------------|---------------------------------------|
| <input type="checkbox"/> 5 | <input type="checkbox"/> 50 | <input type="checkbox"/> 200 | <input type="checkbox"/> 1000 | <input type="checkbox"/> 5000 |
| <input type="checkbox"/> 15 | <input type="checkbox"/> 60 | <input type="checkbox"/> 300 | <input type="checkbox"/> 2000 | <input type="checkbox"/> 10000 |
| <input type="checkbox"/> 30 | <input type="checkbox"/> 100 | <input type="checkbox"/> 500 | <input type="checkbox"/> 3000 | |

*Other ranges available. Please consult factory.

C. Unit of Measure

<input type="checkbox"/> PSI [▲]	<input type="checkbox"/> kPa	<input type="checkbox"/> inHg
<input type="checkbox"/> bar	<input type="checkbox"/> inH₂O	<input type="checkbox"/> kgcm²
<input type="checkbox"/> mbar	<input type="checkbox"/> mmHg	<input type="checkbox"/> fsw

D. Pressure Type

- G** Gauge
- CG** Compound Gauge
- V** Vac
- A** Absolute
- S** Sealed

E. Electrical Connection

Mating connector sold separately

- E1** 6-pin circular
- E3** 4-pin bayonet
- E4** 4-pin M12 Micro connector
- E5**[▲] Pigtail with cable (specify length below)
- E17** 6-pin bayonet

F. Electrical Cable Length

- ___ Number represents cable length, in 5-ft increments, included on E5 pigtail option above. (ex. E5-10 represents pigtail with 10 ft. cable)

Note: ▲ Indicates this option is standard.

G. Process Connection

- P0**[▲] 1/4-18 NPTM
- P4** 7/16 SAE male flush mount
- P5** 1/4-18 NPTF
- P7** 7/16-20 SAE male
- P14** 1/8-27 NPTM
- P16** PT 1/4 (BSPP) male
- P22** G3/8 (3/8 BSPP) male
- P23** G1/2 (1/2 BSPP) male
- P30** High Pressure Sno TriK (M-250C, Autoclave male)
- P54** 7/16-20 UNJF-3A male w/ cone

H. Accuracy

- ### 1-5,000 PSI
- N0**[▲] ±0.25%
 - N1*** ±0.25% with NIST certification
 - N2** ±0.1% with NIST certification

*Note: ±0.25% available at 10,000 psi for 4-20 mA output only.

10,000 PSI

- N12** ±0.5%
- N13** ±0.5% with NIST certification

I. Materials

- M0** 15-5 SS (≥ 1k psi)
- M1**[▲] 316L SS (up to 5k psi)
- M2** 17-4 SS (≥ 1k psi)

J. Vibration

- V0**[▲] Standard
- V1** High (not available with K0)

K. Can Assembly

- K0**[▲] Knurl
- K1** Tamper resistant with Loc-Tite
- K2** Tamper resistant with weld
- K3** Weld can to fitting and connector

L. Temperature

- S0**[▲] Standard: 0° - 130°F (-17° - 54°C)
- S1** Extended: -40° - 180°F (-40° - 82°C)
- S4** Extended: 0° - 185°F (-17° - 85°C)