



DUAL CHANNEL ALARM UNIT for mA / V Signals

MAIN FEATURES

SR560 is built to monitor mA or V signals in the process industry. The two channels are fully independent. The SR560 is specially designed for reliable safety triggering without false alarms. High configuration flexibility allows for adaptation to required alarm functions.

Two isolated channels with relay outputs

SR560 is equipped with two galvanically isolated monitoring channels. Each channel has an output relay with switch over contact. The functions of the channels can be set independent of each other.

High configuration flexibility

Adaptability

Configuration changes are made conveniently with jumpers. The following adjustments are available for each channel: input type (mA or V), measuring range (see specifications), High/Low alarm, the relays normally active or passive functions, alarm delay 0.4 or 2 s. The hysteresis of the trip function is adjusted with a 15-turn potentiometer in the front. The hysteresis can be set between 0.35 and 80 % of input span.

Set-point adjustment

A voltage outlet and a 15-turn potentiometer on the front panel are used to adjust the set-points for each channel. The set-point can be measured as a voltage from the test outlet. The scale is 0(2)-10 V for 0-100 % of input signal.

The relays "normally active or passive" functions

are chosen to suit the use of the monitor. Normally active, with the relay coil activated and the monitor inactive (no alarm), is

suitable when the monitor is used to give an alarm signal at error states. This means that in case of a power supply failure the monitor will give an alarm signal (=monitoring out of order). Normally passive is mostly used to provide a trip function to switch off equipment, thus saving costly and unnecessary operational stops.

The choice of High or Low alarm functions

depends on whether increasing or decreasing signal is to be monitored. Alarms are always indicated by a lighted red LED independent of configuration.

Open or closed relay contacts

The choice of open or closed relay contacts is made when connecting the output signal lines.

Accurate and interference free monitoring

Comparison of monitored input signals to the adjusted set-point is carried out in two stages using a special principle, which gives a very efficient filtering of transient interference and noise. Reliability in the monitoring system is increased with a dynamic hysteresis, which connects the preset hysteresis when an alarm is monitored.

The relays in the SR560 will not give a false alarm when power is switched on. A 15-turn potentiometer insures high definition and stability in adjusted set-point.

Plug-in, screw terminals

All connections are made with plug-in screw terminals. Installation is simplified by connection diagrams on the front panel.

Compact mounting on DIN-rail

SR560 snaps on to a 35 mm DIN-rail and can be mounted with high density.

INOR PROCESS AB

PO Box 9125, S-200 39 Malmö, Sweden, PHONE +46-40-31 25 60, FAX +46-40-31 25 70, E-MAIL support@inor.se WEB www.inor.se

INOR TRANSMITTER GmbH

Rodenbacher Chaussee 6, Gebäude 805, D-63457 Hanau-Wolfgang, PHONE +49-6181-582940, FAX +49-6181-582944,

E-MAIL inor.gmbh@t-online.de

INOR TRANSMITTER Inc.

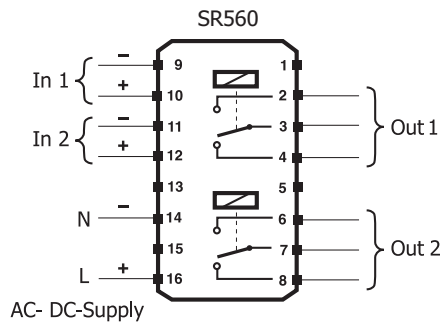
1860 Renaissance Blvd., Suite 203, Sturtevant, WI 53177, USA, PHONE +1-262-884-4535, FAX +1-262-884-4537, E-MAIL sales@inor.com

SPECIFICATIONS SR560

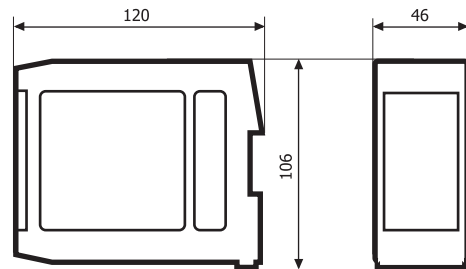
INPUT 1 & 2		
Voltage		0(0.2)-1 V, 0(1)-5 V, 0(2)-10 V
	Input impedance	10 Mohm
Current		0(4)-20 mA (standard setting)
	Input impedance	51 ohm
Maximum input level		200 % of input span
OUTPUT 1 & 2		
Relay 1		1-pole switch over contact
Relay 2		1-pole switch over contact
Contact material		Hard silver (AgNi 0.15) (option: gold plated)
Contact rating		2 A @ 250 VAC / 0.1 A @ 110 VDC
FUNCTIONS, RELAY 1 & 2		
Selectable High or Low alarm		Jumpers on PCB (standard: High)
Adjustable alarm set-point		Front 15-turn potentiometers / test connectors
Selectable alarm delay		0.4 s (standard) or 2 s, changeable on PCB
Adjustable hysteresis		0.35 % (standard) to 80 % with front 15-turn potentiometer
Selectable opening or closing contact		Depends on terminal connection
Selectable normally active or passive function		Jumpers on PCB, standard: normally active
ENVIRONMENT CONDITIONS		
Ambient temperature	Operation	-20 to +60 °C
	Storage	-25 to +70 °C
Humidity		0 to 95 %RH
EMC	EN 50081-2, EN 50082-2 (Industrial)	Criterion A (within specifications)
LVD	IEC 1010-1	Installation category III, maximum 250 V
GENERAL DATA		
Galvanic isolation	AC version	
	Input to relay outputs	3 700 VAC, 1 min
	Input to power supply	3 700 VAC, 1 min
	Relay outputs to power supply	3 700 VAC, 1 min
	Between channels	1 500 VAC, 1 min
	DC version	
	Input to relay outputs	1 500 VAC, 1 min
	Input to power supply	1 500 VAC, 1 min
	Relay outputs to power supply	1 500 VAC, 1 min
	Between channels	1 500 VAC, 1 min
Power supply	AC version	230 V, 45..75 Hz,
	DC version	19 to 60 VDC
	Permissible variation	-15..+10 %
Power consumption		4 VA
ACCURACY		
Set-point adjustment		± 0.05 % ¹⁾
Repeatability		± 0.05 % ¹⁾
Temperature influence		± 0.1 % ¹⁾ / 10 °C
Supply voltage influence		± 0.05 % ¹⁾ within variation range
Long-term stability		± 0.15 % ¹⁾ / year
HOUSING		
Weight		Appr. 500 g
Protection		IP 20
Connection	Plug-in terminals	Stranded, ≤ 2.5 mm ² , AWG 14
Mounting		Rail acc. to DIN EN 50022, 35 mm

¹⁾ Of input span

CONNECTIONS



DIMENSIONS



Measurements in mm

ORDERING INFORMATION

SR560 230 VAC
SR560 19-60 VDC
Configuration

51MOE00014
51MOE00015
70CAL00001

DISTRIBUTION