



G2 Industrial Grade Meters

The unique modular approach of the Industrial Grade Meter line allows you to design a meter to match your specific application. Turbine choice depends on flowrate, line size, pressure rating, fitting type, chemical compatibility and temperature range. When choosing a G2 Series Meter, select from our wide variety of materials and sizes. These meters offer high accuracy at a lower cost, are compact and include a self-contained design. G2 Series Meters are field serviceable. Electronic choices for the G2 Series Meters are covered in Section 6.



Build-Your-Own G2 Meter

ELECTRONICS SECTION HAS ADDITIONAL ITEMS

1) Select Your Turbine Material and Size

Turbine choice depends on flowrate, line size, pressure rating, fitting type, chemical compatibility and temperature range.



Stainless Steel



Aluminum
(Shown with 09 Computer)



Brass
(Shown with 09 Computer)



PVC
(Shown with 09 Computer)



PVDF



2) Need A Computer?



09 Computer



XX No Computer



3) Select Your Module

For further details and selections see pages 24-27.



Standard Remote Kit



FM Approved Remote Kit



Conditioned Signal Output Module



FM Approved Sensor Kit



4-20 mA Module



Pulse Access Module



External Power Module



4) Make Your Electronics Choice

For further details and selections see page 58.



5) Do You Require Any Accessories?

For further details and selections see page 28.



Conduit Adapter Kit



90° Display Adapter Kit



510 Conversion Kit



Pulse Access Dust Cover



GPI Electronics Programmer

BUY SMART . BUY VALUE . BUY **GPI**



G2 Meter Number Reference

Product Identifier

G2 = Industrial Grade Meter

Turbine Material & Size

Metal Meters:

- S05** = Stainless Steel – 1/2 in.
- S07** = Stainless Steel – 3/4 in.
- S10** = Stainless Steel – 1 in.
- S15** = Stainless Steel – 1-1/2 in.
- S20** = Stainless Steel – 2 in.
- H05** = Stainless Steel High Pressure – 1/2 in.
- H07** = Stainless Steel High Pressure – 3/4 in.
- H10** = Stainless Steel High Pressure – 1 in.
- H15** = Stainless Steel High Pressure – 1-1/2 in.
- H20** = Stainless Steel High Pressure – 2 in.

- A05** = Aluminum – 1/2 in.
- A07** = Aluminum – 3/4 in.
- A10** = Aluminum – 1 in.
- A15** = Aluminum – 1-1/2 in.
- A20** = Aluminum – 2 in.
- B05** = Brass – 1/2 in.
- B07** = Brass – 3/4 in.
- B10** = Brass – 1 in.
- B15** = Brass – 1-1/2 in.
- B20** = Brass – 2 in.

Plastic Meters:

- C05** = PVC – 1/2 in.
- C10** = PVC – 1 in.
- P05** = PVDF – 1/2 in.
- P10** = PVDF – 1 in.

Meter Dimensions listed on pages 70-72.

Fitting Type

- F** = 150# ANSI Flange - available on S10, S15 and S20 only
- I** = ISO (Female)
- N** = NPT (Female)
- T** = Tri-Clover® Fitting - available on S05 - S20 only
- W** = Solvent Weld - available on PVC only
- X** = Electronics Only - for metal meters
- Z** = Electronics Only - for plastic meters

Electronic Choice

Turbine with Local Display

- 09** = 2 Button Computer, Field Configurable (2 Totals, 2 Calibrations, Rate)
- 19** = Vertical Mount 2-Button Computer, Field Configurable (2 Totals, 2 Calibrations, Rate)

Pulse Output (Remote)

- 41** = Remote Pulse Out Transmitter & Sine Wave Pickup (Standard Remote Sensor Option)
- 43** = Remote Pulse Out Transmitter & Turbine Mounted Computer (Pulse Out Sensor Option)

GG500 – Display with Pulse Output (Remote)

- 51** = Sine Wave Pickup (Standard Remote Sensor Option)
- 52** = Open Collector Pickup (Conditioned Signal Sensor Option)
- 53** = Turbine Mounted Computer (Pulse Access Sensor Option)

GX500 – Display with 4-20 mA Output (Remote)

- 61** = Sine Wave Pickup (Standard Remote Sensor Option)
- 62** = Open Collector Pickup (Conditioned Signal Sensor Option)
- 63** = Turbine Mounted Computer (Pulse Access Sensor Option)

GA500 – 4-20 mA Output (Remote)

- 71** = Sine Wave Pickup (Standard Remote Sensor Option)
- 72** = Open Collector Pickup (Conditioned Signal Sensor Option)
- 73** = Turbine Mounted Computer (Pulse Access Sensor Option)

No Electronics – Turbine Only

- XX** = No Electronics – Turbine Only

Calibration

- GM** = Gallons / Minute
- LM** = Litres / Minute
- XX** = No Computer

Packaging

- A** = Use for Turbine Only or Turbine w/Display (Sizes 05-10)
- B** = Use for Turbine Only or Turbine w/Display (Sizes 15-20)
- C** = Use for Turbine with Remote Transmitter With or Without Turbine Mounted Display (Sizes 05-20)
- D** = Use for 150# ANSI Flange Turbine Only (Size 10)
- E** = Use for 150# ANSI Flange Turbine Only (Sizes 15-20)
Use for 150# ANSI Flange Turbine with Remote Transmitter (Sizes 10, 15 or 20)

G2 + **S07** + **N** + **09** + **GM** + **A** ← (Sample Model Number)

BUY SMART . BUY VALUE . BUY **GPI**



G2 Industrial Meters - Stainless Steel



The GPI Stainless Steel Meter line has a proven track record in the industrial market. GPI Stainless Steel Meters are rugged and dependable. Use stainless steel meters for most chemicals: Ammonium, Plating Solutions and Fuel products.

Select Your Meter Size:

1/2 inch 3/4 inch 1 inch 1-1/2 inch 2 inch



Features and Benefits:

- ✓ Stainless steel meters have excellent chemical compatibility.
- ✓ Modular design allows for use with Output Modules, Sensors and Remote Transmitters.
- ✓ Local Display Computer features: 2 Totals (1 Resettable, 1 Cumulative); Factory Calibration in gallons and litres; 2 User Calibrations and Flowrate.
- ✓ High accuracy meter.
- ✓ Internal parts are simple to replace for easy maintenance.
- ✓ Powered by Lithium batteries for approximately 9,000 hours.
- ✓ Accessories easily upgrade meter.

STAINLESS STEEL - SPECIFICATIONS

Fitting Type:	NPT or ISO (Female)				
Housing Material:	316 Stainless Steel				
Meter Sizes Available:	1/2"	3/4"	1"	1-1/2"	2"
Flow Range:	1/2" (S05)	1 - 10 GPM	(3.8 - 37.9 LPM)		
	3/4" (S07)	2 - 20 GPM	(7.6 - 75.7 LPM)		
	1" (S10)	5 - 50 GPM	(18.9 - 190 LPM)		
	1-1/2" (S15)	10 - 100 GPM	(38.0 - 380 LPM)		
	2" (S20)	20 - 200 GPM	(76 - 760 LPM)		
Accuracy (% of Reading):		Turbine Only	Turbine w/Computer		
	1/2" (S05)	± 2.0%	± 1.5%		
	3/4" (S07)	± 1.5%	± 1.0%		
	1" (S10)	± 1.5%	± 1.0%		
	1-1/2" (S15)	± 1.0%	± 0.75%		
	2" (S20)	± 1.0%	± 0.75%		
Repeatability:	± 0.1%				
Pressure Rating:	1,500 PSI / 102 BAR				
Operating Temperature Range:	-40°F to +250°F (-40°C to +121°C)				
	with Computer: +14°F to +140°F (-10°C to +60°C)				
Typical K-Factor:	1/2" (S05)	2,500			
	3/4" (S07)	1,100			
	1" (S10)	565			
	1-1/2" (S15)	215			
	2" (S20)	100			
Wetted Materials:	Housing:	316 Stainless Steel			
	Bearings:	Ceramic			
	Shaft:	Tungsten Carbide			
	Rotor:	PVDF			
	Rings:	316 Stainless Steel			
Frequency Range:	1/2" (S05)	42 - 420 Hz @ 1 - 10 GPM			
	3/4" (S07)	37 - 370 Hz @ 2 - 20 GPM			
	1" (S10)	47 - 470 Hz @ 5 - 50 GPM			
	1-1/2" (S15)	36 - 360 Hz @ 10 - 100 GPM			
	2" (S20)	33 - 330 Hz @ 20 - 200 GPM			
Recommended Strainer Size:					
	1/2" (S05)	55 mesh			
	3/4" (S07)	55 mesh			
	1" (S10)	28 mesh			
	1-1/2" (S15)	55 mesh			
	2" (S20)	28 mesh			
Maximum Flow:	1/2" (S05)	15 GPM (56.8 LPM)			
	3/4" (S07)	30 GPM (113.6 LPM)			
	1" (S10)	75 GPM (284 LPM)			
	1-1/2" (S15)	150 GPM (568 LPM)			
	2" (S20)	300 GPM (1,136 LPM)			
Wrench Flat Size:	1/2" (S05)	1-1/16 inch (27 mm)			
	3/4" (S07)	1-5/16 inch (33 mm)			
	1" (S10)	1-5/8 inch (41 mm)			
	1-1/2" (S15)	2-3/8 inch (60 mm)			
	2" (S20)	3 inch (75 mm)			
Shipping Weight:	1/2" (S05)	2.3 lbs./1.1 kg - Turbine Only: 2.1 lbs./.95 kg			
	3/4" (S07)	2.5 lbs./1.1 kg - Turbine Only: 2.3 lbs./1.0 kg			
	1" (S10)	3.0 lbs./1.3 kg - Turbine Only: 2.8 lbs./1.2 kg			
	1-1/2" (S15)	4.6 lbs./2.0 kg - Turbine Only: 4.4 lbs./2.0 kg			
	2" (S20)	6.8 lbs./3.0 kg - Turbine Only: 6.6 lbs./3.0 kg			

ELECTRONIC CHOICES

Local Display, Remote Display & Remote Transmitter Options:	See Section 6.
--	----------------

APPROVALS



BUY SMART . BUY VALUE . BUY GPI



G2 Industrial Meters - High Pressure



This is the turbine meter of choice for high pressure applications like spray washers and hydraulic systems. PSIG for the GPI High Pressure Meter is 3,000 compared to 1,500 for the standard stainless steel meter. This proven meter can perform in all kinds of high pressure applications.

Select Your Meter Size:

1/2 inch 3/4 inch 1 inch 1-1/2 inch 2 inch



Features and Benefits:

- ✓ High pressure and high accuracy.
- ✓ Excellent chemical compatibility.
- ✓ Modular design allows for use with Output Modules, Sensors and Remote Transmitters.
- ✓ Local Display Computer features: 2 Totals (1 Resettable, 1 Cumulative); Factory Calibration in gallons and litres; 2 User Calibrations and Flowrate.
- ✓ Internal parts are simple to replace for easy maintenance.
- ✓ Powered by Lithium batteries for approximately 9,000 hours.

HIGH PRESSURE - SPECIFICATIONS

Fitting Type:	NPT or ISO (Female)				
Housing Material:	316 Stainless Steel				
Meter Sizes Available:	1/2"	3/4"	1"	1-1/2"	2"
Flow Range:	1/2" (H05)	1 - 10 GPM	(3.8 - 37.9 LPM)		
	3/4" (H07)	2 - 20 GPM	(7.6 - 75.7 LPM)		
	1" (H10)	5 - 50 GPM	(18.9 - 190 LPM)		
	1-1/2" (H15)	10 - 100 GPM	(38.0 - 380 LPM)		
	2" (H20)	20 - 200 GPM	(76 - 760 LPM)		
Accuracy (% of Reading):	Turbine Only		Turbine w/Computer		
	1/2" (H05)	± 2.0%	± 1.5%		
	3/4" (H07)	± 1.5%	± 1.0%		
	1" (H10)	± 1.5%	± 1.0%		
	1-1/2" (H15)	± 1.0%	± 0.75%		
	2" (H20)	± 1.0%	± 0.75%		
Repeatability:	± 0.1%				
Pressure Rating:	3,000 PSI / 207 BAR				
Operating Temperature Range:	-40°F to +250°F (-40°C to +121°C)				
with Computer:	+14°F to +140°F (-10°C to +60°C)				
Typical K-Factor:	1/2" (H05)	2,500			
	3/4" (H07)	1,100			
	1" (H10)	565			
	1-1/2" (H15)	215			
	2" (H20)	100			
Wetted Materials:	Housing:	316 Stainless Steel			
	Bearings:	Ceramic			
	Shaft:	Tungsten Carbide			
	Rotor:	PVDF			
	Rings:	316 Stainless Steel			
Frequency Range:	1/2" (H05)	42 - 420 Hz @ 1 - 10 GPM			
	3/4" (H07)	37 - 370 Hz @ 2 - 20 GPM			
	1" (H10)	47 - 470 Hz @ 5 - 50 GPM			
	1-1/2" (H15)	36 - 360 Hz @ 10 - 100 GPM			
	2" (H20)	33 - 330 Hz @ 20 - 200 GPM			
Recommended Strainer Size:					
	1/2" (H05)	55 mesh			
	3/4" (H07)	55 mesh			
	1" (H10)	28 mesh			
	1-1/2" (H15)	55 mesh			
	2" (H20)	28 mesh			
Maximum Flow:	1/2" (H05)	15 GPM (56.8 LPM)			
	3/4" (H07)	30 GPM (113.6 LPM)			
	1" (H10)	75 GPM (284 LPM)			
	1-1/2" (H15)	150 GPM (568 LPM)			
	2" (H20)	300 GPM (1,136 LPM)			
Wrench Flat Size:	1/2" (H05)	1-1/16 inch (27 mm)			
	3/4" (H07)	1-5/16 inch (33 mm)			
	1" (H10)	1-5/8 inch (41 mm)			
	1-1/2" (H15)	2-3/8 inch (60 mm)			
	2" (H20)	3 inch (75 mm)			
Shipping Weight:	1/2" (H05)	2.3 lbs./1.0 kg - Turbine Only: 2.1 lbs./1.0 kg			
	3/4" (H07)	2.4 lbs./1.1 kg - Turbine Only: 2.2 lbs./1.0 kg			
	1" (H10)	3.0 lbs./1.3 kg - Turbine Only: 2.8 lbs./1.2 kg			
	1-1/2" (H15)	4.6 lbs./2.1 kg - Turbine Only: 4.4 lbs./2.0 kg			
	2" (H20)	6.8 lbs./3.0 kg - Turbine Only: 6.6 lbs./3.0 kg			

ELECTRONIC CHOICES

Local Display, Remote Display	
& Remote Transmitter Options:	See Section 6.

APPROVALS



BUY SMART . BUY VALUE . BUY **GPI**



G2 Industrial Meters - ANSI Flange



Select stainless steel meters with 150# ANSI Flanges when you need a meter that installs in-line quickly. Flange Meters are easily installed and removed with four bolts. Combine with GPI's Computer Electronics for a complete, accurate, metering system.

Select Your Meter Size:

1 inch 1-1/2 inch 2 inch



Features and Benefits:

- ✓ Stainless steel meters have excellent chemical compatibility.
- ✓ Modular design allows for use with Output Modules, Sensors and Remote Transmitters.
- ✓ Local Display Computer features: 2 Totals (1 Resettable, 1 Cumulative); Factory Calibration in gallons and litres; 2 User Calibrations and Flowrate.
- ✓ Precision accuracy meter.
- ✓ Internal parts are simple to replace for easy maintenance.
- ✓ Powered by Lithium batteries for approximately 9,000 hours.
- ✓ Accessories easily upgrade meter.

ANSI FLANGE - SPECIFICATIONS

Fitting Type:	150# ANSI Flange	
Housing Material:	316 Stainless Steel	
Meter Sizes Available:	1" 1-1/2" 2"	
Flow Range:	1" (S10F)	5 - 50 GPM (18.9 - 190 LPM)
	1-1/2" (S15F)	10 - 100 GPM (38.0 - 380 LPM)
	2" (S20F)	20 - 200 GPM (76 - 760 LPM)
Accuracy (% of Reading):	Turbine Only	Turbine w/Computer
	1" (S10F)	± 1.5% ± 1.0%
	1-1/2" (S15F)	± 1.0% ± 0.75%
	2" (S20F)	± 1.0% ± 0.75%
Repeatability:	± 0.1%	
Pressure Rating:	Flange Rule	
Operating Temperature Range:	-40°F to +250°F (-40°C to +121°C)	
	with Computer: +14°F to +140°F (-10°C to +60°C)	
Typical K-Factor:	1" (S10F)	565
	1-1/2" (S15F)	215
	2" (S20F)	100
Wetted Materials:	Housing:	316 Stainless Steel
	Bearings:	Ceramic
	Shaft:	Tungsten Carbide
	Rotor:	PVDF
	Rings:	316 Stainless Steel
Frequency Range:	1" (S10F)	47 - 470 Hz @ 5 - 50 GPM
	1-1/2" (S15F)	36 - 360 Hz @ 10 - 100 GPM
	2" (S20F)	33 - 330 Hz @ 20 - 200 GPM
Recommended Strainer Size:	1" (S10F)	28 mesh
	1-1/2" (S15F)	55 mesh
	2" (S20F)	28 mesh
Maximum Flow:	1" (S10F)	75 GPM (284 LPM)
	1-1/2" (S15F)	150 GPM (568 LPM)
	2" (S20F)	300 GPM (1,136 LPM)
Shipping Weight:	1" (S10F)	7.2 lbs./3.3 kg - Turbine Only; 7.0 lbs./3.2 kg
	1-1/2" (S15F)	11.3 lbs./5.1 kg - Turbine Only; 11.1 lbs./5.0 kg
	2" (S20F)	18.6 lbs./8.4 kg - Turbine Only; 18.4 lbs./8.3 kg

ELECTRONIC CHOICES

Local Display, Remote Display	
& Remote Transmitter Options:	See Section 6.

APPROVALS



BUY SMART . BUY VALUE . BUY **GPI**



G2 Industrial Meters - Tri-Clover®



The GPI Stainless Steel Meters with Tri-Clover® fittings can be used with food and beverage industries in pre-process applications. Built of stainless steel construction, these meters come in five sizes to fit most every application.

Select Your Meter Size:

- 1/2 inch Meter with 3/4 inch Fitting
- 3/4 inch Meter with 1 inch Fitting
- 1 inch Meter with 1-1/2 inch Fitting
- 1-1/2 inch Meter with 2 inch Fitting
- 2 inch Meter with 2-1/2 inch Fitting



Features and Benefits:

- ✓ Stainless steel meter with Tri-Clover® fittings.
- ✓ Modular design allows for use with Output Modules, Sensors and Remote Transmitters.
- ✓ Local Display Computer features: 2 Totals (1 Resettable, 1 Cumulative); Factory Calibration in gallons and litres; 2 User Calibrations and Flowrate.
- ✓ Internal parts are easy to replace.
- ✓ Powered by Lithium batteries for approximately 9,000 hours.
- ✓ Accessories easily upgrade meter.

TRI-CLOVER® - SPECIFICATIONS

Fitting Type:	Tri-Clover®				
Housing Material:	316 Stainless Steel				
Meter Sizes Available:	1/2"	3/4"	1"	1-1/2"	2"
Tri-Clover® Fittings Available:	3/4"	1"	1-1/2"	2"	2-1/2"
Flow Range:	1/2" (S05T)	1 - 10 GPM	(3.8 - 37.9 LPM)		
	3/4" (S07T)	2 - 20 GPM	(7.6 - 75.7 LPM)		
	1" (S10T)	5 - 50 GPM	(18.9 - 190 LPM)		
	1-1/2" (S15T)	10 - 100 GPM	(38.0 - 380 LPM)		
	2" (S20T)	20 - 200 GPM	(76 - 760 LPM)		
Accuracy (% of Reading):		Turbine Only	Turbine w/Computer		
	1/2" (S05T)	± 2.0%	± 1.5%		
	3/4" (S07T)	± 1.5%	± 1.0%		
	1" (S10T)	± 1.5%	± 1.0%		
	1-1/2" (S15T)	± 1.0%	± 0.75%		
	2" (S20T)	± 1.0%	± 0.75%		
Repeatability:	± 0.1%				
Pressure Rating:	Limited by fitting size.				
Operating Temperature Range:	-40°F to +250°F (-40°C to +121°C)				
with Computer:	+14°F to +140°F (-10°C to +60°C)				
Typical K-Factor:	1/2" (S05T)	2,500			
	3/4" (S07T)	1,100			
	1" (S10T)	565			
	1-1/2" (S15T)	215			
	2" (S20T)	100			
Wetted Materials:	Housing:	316 Stainless Steel			
	Bearings:	Ceramic			
	Shaft:	Tungsten Carbide			
	Rotor:	PVDF			
	Rings:	316 Stainless Steel			
Frequency Range:	1/2" (S05T)	42 - 420 Hz @ 1 - 10 GPM			
	3/4" (S07)	37 - 370 Hz @ 2 - 20 GPM			
	1" (S10T)	47 - 470 Hz @ 5 - 50 GPM			
	1-1/2" (S15T)	36 - 360 Hz @ 10 - 100 GPM			
	2" (S20T)	33 - 330 Hz @ 20 - 200 GPM			
Recommended Strainer Size:	1/2" (S05T)	55 mesh			
	3/4" (S07T)	55 mesh			
	1" (S10T)	28 mesh			
	1-1/2" (S15T)	55 mesh			
	2" (S20T)	28 mesh			
Maximum Flow:	1/2" (S05T)	15 GPM (56.8 LPM)			
	3/4" (S07T)	30 GPM (113.6 LPM)			
	1" (S10T)	75 GPM (284 LPM)			
	1-1/2" (S15T)	150 GPM (568 LPM)			
	2" (S20T)	300 GPM (1,136 LPM)			
Shipping Weight:	1/2" (S05T)	2.5 lbs./1.0 kg - Turbine Only: 2.3 lbs./1.0 kg			
	3/4" (S07T)	2.9 lbs./1.3 kg - Turbine Only: 2.7 lbs./1.2 kg			
	1" (S10T)	3.2 lbs./1.4 kg - Turbine Only: 3.0 lbs./1.3 kg			
	1-1/2" (S15T)	4.7 lbs./2.1 kg - Turbine Only: 4.5 lbs./2.0 kg			
	2" (S20T)	6.5 lbs./2.9 kg - Turbine Only: 6.3 lbs./2.8 kg			

ELECTRONIC CHOICES

Local Display, Remote Display	
& Remote Transmitter Options:	See Section 6.

APPROVALS



BUY SMART . BUY VALUE . BUY GPI



G2 Industrial Meters - Aluminum



GPI offers a full line of Industrial Meters in a variety of housing materials. Aluminum meters are best suited for petroleum based products. The modular design allows for maximum flexibility in meeting custom applications. Models are available with ISO or NPT fittings.

Select Your Meter Size:

1/2 inch 3/4 inch 1 inch 1-1/2 inch 2 inch



Features and Benefits:

- ✓ High precision, durable and compact turbine flowmeters.
- ✓ Modular design allows for use with Output Modules, Sensors and Remote Transmitters.
- ✓ Local Display Computer features: 2 Totals (1 Resettable, 1 Cumulative); Factory Calibration in gallons and litres; 2 User Calibrations and Flowrate.
- ✓ Internal parts are simple to replace for easy maintenance.
- ✓ Lightweight, compact design allows for easy installation.
- ✓ Powered by Lithium batteries for approximately 9,000 hours.

ALUMINUM - SPECIFICATIONS

Fitting Type:	NPT or ISO (Female)				
Housing Material:	Aluminum				
Meter Sizes Available:	1/2"	3/4"	1"	1-1/2"	2"
Flow Range:	1/2" (A05)	1 - 10 GPM	(3.8 - 37.9 LPM)		
	3/4" (A07)	2 - 20 GPM	(7.6 - 75.7 LPM)		
	1" (A10)	5 - 50 GPM	(18.9 - 190 LPM)		
	1-1/2" (A15)	10 - 100 GPM	(38.0 - 380 LPM)		
	2" (A20)	20 - 200 GPM	(76 - 760 LPM)		
Accuracy (% of Reading):		Turbine Only	Turbine w/Computer		
	1/2" (A05)	± 2.0%	± 1.5%		
	3/4" (A07)	± 1.5%	± 1.0%		
	1" (A10)	± 1.5%	± 1.0%		
	1-1/2" (A15)	± 1.0%	± 0.75%		
	2" (A20)	± 1.0%	± 0.75%		
Repeatability:	± 0.1%				
Pressure Rating:	300 PSI / 21 BAR				
Operating Temperature Range:	-40°F to +250°F (-40°C to +121°C)				
	with Computer: +14°F to +140°F (-10°C to +60°C)				
Typical K-Factor:	1/2" (A05)	2,500			
	3/4" (A07)	1,100			
	1" (A10)	565			
	1-1/2" (A15)	215			
	2" (A20)	100			
Wetted Materials:	Housing:	Aluminum			
	Bearings:	Ceramic			
	Shaft:	Tungsten Carbide			
	Rotor:	PVDF			
	Rings:	316 Stainless Steel			
Frequency Range:	1/2" (A05)	42 - 420 Hz @ 1 - 10 GPM			
	3/4" (A07)	37 - 370 Hz @ 2 - 20 GPM			
	1" (A10)	47 - 470 Hz @ 5 - 50 GPM			
	1-1/2" (A15)	36 - 360 Hz @ 10 - 100 GPM			
	2" (A20)	33 - 330 Hz @ 20 - 200 GPM			
Recommended Strainer Size:					
	1/2" (A05)	55 mesh			
	3/4" (A07)	55 mesh			
	1" (A10)	28 mesh			
	1-1/2" (A15)	55 mesh			
	2" (A20)	28 mesh			
Maximum Flow:	1/2" (A05)	15 GPM (56.8 LPM)			
	3/4" (A07)	30 GPM (113.6 LPM)			
	1" (A10)	75 GPM (284 LPM)			
	1-1/2" (A15)	150 GPM (568 LPM)			
	2" (A20)	300 GPM (1,136 LPM)			
Wrench Flat Size:	1/2" (A05)	1-1/16 inch (27 mm)			
	3/4" (A07)	1-5/16 inch (33 mm)			
	1" (A10)	1-5/8 inch (41 mm)			
	1-1/2" (A15)	2-3/8 inch (60 mm)			
	2" (A20)	3 inch (75 mm)			
Shipping Weight:	1/2" (A05)	1.3 lbs./59 kg - Turbine Only: 1.1 lbs./50 kg			
	3/4" (A07)	1.4 lbs./63 kg - Turbine Only: 1.2 lbs./50 kg			
	1" (A10)	1.6 lbs./73 kg - Turbine Only: 1.4 lbs./63 kg			
	1-1/2" (A15)	2.8 lbs./1.3 kg - Turbine Only: 2.6 lbs./1.2 kg			
	2" (A20)	3.9 lbs./1.7 kg - Turbine Only: 3.7 lbs./1.7 kg			

ELECTRONIC CHOICES

Local Display, Remote Display

& Remote Transmitter Options: See Section 6.

APPROVALS



BUY SMART . BUY VALUE . BUY **GPI**



G2 Industrial Meters - Brass



The G2 Industrial Brass Meter allows another choice for fluid compatibility. The GPI Brass Meter works well with most water applications. Use with glucose, lacquer thinners and vegetable juices for example.

Select Your Meter Size:

1/2 inch 3/4 inch 1 inch 1-1/2 inch 2 inch



Features and Benefits:

- ✓ High precision and durable turbine flowmeters.
- ✓ Modular design allows for use with Output Modules, Sensors and Remote Transmitters.
- ✓ Local Display Computer features: 2 Totals (1 Resettable, 1 Cumulative); Factory Calibration in gallons and litres; 2 User Calibrations and Flowrate.
- ✓ Internal parts are simple to replace for easy maintenance.
- ✓ Powered by Lithium batteries for approximately 9,000 hours.

BRASS - SPECIFICATIONS

Fitting Type:	NPT or ISO (Female)				
Housing Material:	Brass				
Meter Sizes Available:	1/2"	3/4"	1"	1-1/2"	2"
Flow Range:	1/2" (B05)	1 - 10 GPM	(3.8 - 37.9 LPM)		
	3/4" (B07)	2 - 20 GPM	(7.6 - 75.7 LPM)		
	1" (B10)	5 - 50 GPM	(18.9 - 190 LPM)		
	1-1/2" (B15)	10 - 100 GPM	(38.0 - 380 LPM)		
	2" (B20)	20 - 200 GPM	(76 - 760 LPM)		
Accuracy (% of Reading):		Turbine Only	Turbine w/Computer		
	1/2" (B05)	± 2.0%	± 1.5%		
	3/4" (B07)	± 1.5%	± 1.0%		
	1" (B10)	± 1.5%	± 1.0%		
	1-1/2" (B15)	± 1.0%	± 0.75%		
	2" (B20)	± 1.0%	± 0.75%		
Repeatability:	± 0.1%				
Pressure Rating:	300 PSI / 21 BAR				
Operating Temperature Range:	-40°F to +250°F (-40°C to +121°C)				
	with Computer: +14°F to +140°F (-10°C to +60°C)				
Typical K-Factor:	1/2" (B05)	2,500			
	3/4" (B07)	1,100			
	1" (B10)	565			
	1-1/2" (B15)	215			
	2" (B20)	100			
Wetted Materials:	Housing:	Brass			
	Bearings:	Ceramic			
	Shaft:	Tungsten Carbide			
	Rotor:	PVDF			
	Rings:	316 Stainless Steel			
Frequency Range:	1/2" (B05)	42 - 420 Hz @ 1 - 10 GPM			
	3/4" (B07)	37 - 370 Hz @ 2 - 20 GPM			
	1" (B10)	47 - 470 Hz @ 5 - 50 GPM			
	1-1/2" (B15)	36 - 360 Hz @ 10 - 100 GPM			
	2" (B20)	33 - 330 Hz @ 20 - 200 GPM			
Recommended Strainer Size:	1/2" (B05)	55 mesh			
	3/4" (B07)	55 mesh			
	1" (B10)	28 mesh			
	1-1/2" (B15)	55 mesh			
	2" (B20)	28 mesh			
Maximum Flow:	1/2" (B05)	15 GPM (56.8 LPM)			
	3/4" (B07)	30 GPM (113.6 LPM)			
	1" (B10)	75 GPM (284 LPM)			
	1-1/2" (B15)	150 GPM (568 LPM)			
	2" (B20)	300 GPM (1,136 LPM)			
Wrench Flat Size:	1/2" (B05)	1-1/16 inch (27 mm)			
	3/4" (B07)	1-5/16 inch (33 mm)			
	1" (B10)	1-5/8 inch (41 mm)			
	1-1/2" (B15)	2-3/8 inch (60 mm)			
	2" (B20)	3 inch (75 mm)			
Shipping Weight:	1/2" (B05)	2.4 lbs./1.0 kg - Turbine Only: 2.2 lbs./1.0 kg			
	3/4" (B07)	2.6 lbs./1.1 kg - Turbine Only: 2.4 lbs./1.0 kg			
	1" (B10)	3.1 lbs./1.4 kg - Turbine Only: 2.9 lbs./1.3 kg			
	1-1/2" (B15)	3.1 lbs./1.4 kg - Turbine Only: 2.9 lbs./1.3 kg			
	2" (B20)	10.0 lbs./4.5 kg - Turbine Only: 9.8 lbs./4.4 kg			

ELECTRONIC CHOICES

Local Display, Remote Display & Remote Transmitter Options:	See Section 6.
--	----------------

APPROVALS



BUY SMART . BUY VALUE . BUY **GPI**



G2 Industrial Meters - PVC



The G2 PVC Meter is an exceptional meter for use in **metal-free** applications. The G2 PVC Meter is an economical alternative to stainless steel meters when used for water. The PVC Meter is durable, lightweight and easy-to-install in-line. Use this meter with water, beer and mild chemicals such as alcohol.

Select Your Meter Size:

1/2 inch

1 inch



Features and Benefits:

- ✓ PVC meters are economical, durable and lightweight.
- ✓ Available with Local Display or Remote Transmitter.
- ✓ Local Display Computer features: 2 Totals (1 Resettable, 1 Cumulative); Factory Calibration in gallons and litres; 2 User Calibrations and Flowrate.
- ✓ Accessories easily upgrade meter.
- ✓ One field replaceable internal part makes maintenance easy.

PVC - SPECIFICATIONS

Fitting Type:	NPT or Solvent Weld (Female)	
Housing Material:	PVC	
Meter Sizes Available:	1/2" and 1"	
Flow Range:	1/2" (C05)	1.2 - 12 GPM (4.54 - 45.42 LPM)
	1" (C10)	5 - 50 GPM (18.9 - 190 LPM)
Accuracy (% of Reading):	Turbine Only	Turbine w/Computer
	1/2" (C05)	± 2.0%
	1" (C10)	± 1.5%
Repeatability:	± 0.3%	
Pressure Rating:	150 PSI / 10.2 BAR	
Operating Temperature Range:	+32°F to +140°F (0°C to +60°C)	
	with Computer: +14°F to +140°F (-10°C to +60°C)	
Maximum Storage Temperature:	-40°F to +158°F (-40°C to +70°C)	
Typical K-Factor:	1/2" (C05)	2,400
	1" (C10)	540
Wetted Materials:	Housing:	PVC
	Bearings:	Ceramic
	Shaft:	Ceramic
	Rotor:	PVDF
	Rings:	Fluorocarbon
Frequency Range:	1/2" (C05)	48 - 480 Hz @ 1.2 - 12 GPM
	1" (C10)	45 - 450 Hz @ 5 - 50 GPM
Recommended Strainer Size:		
	1/2" (C05)	55 mesh
	1" (C10)	28 mesh
Maximum Flow:	1/2" (C05)	15 GPM (56.8 LPM)
	1" (C10)	75 GPM (284 LPM)
Shipping Weight:	1/2" (C05)	1.3 lbs./0.6 kg - Turbine Only: 1.1 lbs./0.51 kg
	1" (C10)	1.9 lbs./0.8 kg - Turbine Only: 1.7 lbs./0.77 kg

ELECTRONIC CHOICES

Local Display, Remote Display	
& Remote Transmitter Options:	See Section 6.

APPROVALS



BUY SMART . BUY VALUE . BUY **GPI**



G2 Industrial Meters - PVDF



Looking for a turbine meter that can handle aggressive chemicals? Look at the PVDF Meter for a housing material that resists abrasion and has great chemical compatibility.

Use PVDF Meters with harsh chemicals: Bleach, Ferric Chloride, Phenol, Sulfuric Acid or Phosphoric Acid.

Select Your Meter Size:

1/2 inch

1 inch



Features and Benefits:

- ✓ Precision accuracy in a lightweight and durable meter.
- ✓ Installs easily.
- ✓ Available with Local Display or Remote Transmitter.
- ✓ Local Display Computer features: 2 Totals (1 Resettable, 1 Cumulative); Factory Calibration in gallons and litres; 2 User Calibrations and Flowrate.
- ✓ Accessories easily upgrade meter.
- ✓ One field replaceable internal part making maintenance easy.

PVDF - SPECIFICATIONS

Fitting Type:	NPT or ISO (Female)	
Housing Material:	PVDF	
Meter Sizes Available:	1/2" and 1"	
Flow Range:	1/2" (P05)	1.2 - 12 GPM (4.54 - 45.42 LPM)
	1" (P10)	5 - 50 GPM (18.9 - 190 LPM)
Accuracy (% of Reading):	Turbine Only	Turbine w/Computer
	1/2" (P05)	± 2.0%
	1" (P10)	± 1.5%
Repeatability:	± 0.3%	
Pressure Rating:	150 PSI / 10.2 BAR	
Operating Temperature Range:	-20°F to +180°F (-28°C to +82°C)	
	with Computer: +14°F to +140°F (-10°C to +60°C)	
Maximum Storage Temperature:	-40°F to +250°F (-40°C to +121°C)	
Typical K-Factor:	1/2" (P05)	2,400
	1" (P10)	540
Wetted Materials:	Housing:	PVDF
	Bearings:	Ceramic - 98% Alumina
	Shaft:	Ceramic - 98% Alumina
	Rotor:	PVDF
	Rings:	Fluorocarbon
Optional O-Ring:	PTFE	
Frequency Range:	1/2" (P05)	48 - 480 Hz @ 1.2 - 12 GPM
	1" (P10)	45 - 450 Hz @ 5 - 50 GPM
Recommended Strainer Size:		
	1/2" (P05)	55 mesh
	1" (P10)	28 mesh
Maximum Flow:	1/2" (P05)	15 GPM (56.8 LPM)
	1" (P10)	75 GPM (284 LPM)
Shipping Weight:	1/2" (P05)	1.3 lbs./0.6 kg - Turbine Only: 1.1 lbs./ .54 kg
	1" (P10)	1.9 lbs./0.8 kg - Turbine Only: 1.7 lbs./ .77 kg

ELECTRONIC CHOICES

Local Display, Remote Display	
& Remote Transmitter Options:	See Section 6.

APPROVALS





G2 Meter Modules

Standard Remote Kit Assembly (Part No. 113265-1)



Standard Remote Kit Assembly Installed

The Standard Remote Kit Assembly modifies GPI Electronic Digital Meters for applications in specialized situations including remote indication and high or low fluid temperature metering applications. This kit also provides the versatility of panel mounting of the LCD readout up to 300 ft. from the turbine housing and sensor.

This kit consists of a sensor module, a dust-cover assembly and 10 ft. of cable. Requires a complete meter with display.

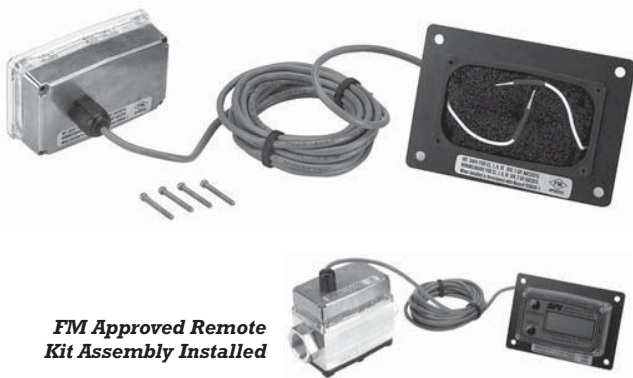
Features and Benefits:

- ✓ Accommodates fluid temperatures from -40°F to +250°F (-40°C to +121°C) depending on meter.
- ✓ This kit can upgrade an existing GPI meter or can be purchased with a new meter.
- ✓ Battery powered from meter; no additional power required.

SPECIFICATIONS

Magnetic Pickup:	1.5 k Ohm, 700 mH
Signal Type:	Sine Wave
Voltage:	Peak to Peak 33 mV to 825 mV
Frequency:	11 to 750 Hz
Cable:	10 ft. (3 m), 2-conductor shielded, Belden #1266A or #8451

FM Approved Remote Kit Assembly (Part No. 113275-1)



FM Approved Remote Kit Assembly Installed

The Factory Mutual (FM) Approved Remote Kit Assembly modifies GPI Electronic Digital Meters for applications in specialized situations including remote indication and high or low fluid temperature metering applications. This kit provides the versatility of panel mounting of the LCD readout up to 100 ft. from the turbine.

This kit consists of a sensor module, a dust-cover assembly and 10 ft. of cable. Requires a complete meter with display.

Features and Benefits:

- ✓ Maintains FM Approval.
- ✓ Accommodates fluid temperatures from -40°F to +250°F (-40°C to +121°C) depending on meter.
- ✓ Battery powered from meter; no additional power required.
- ✓ This kit can upgrade an existing GPI meter or can be purchased with a new meter.

SPECIFICATIONS

Magnetic Pickup:	1.3 k Ohm, 90 mH
Signal Type:	Sine Wave
Voltage:	Peak to Peak 10 mV to 500 mV
Frequency:	11 to 750 Hz
Cable:	10 ft. (3 m), 2-conductor shielded, Belden #9501

APPROVALS

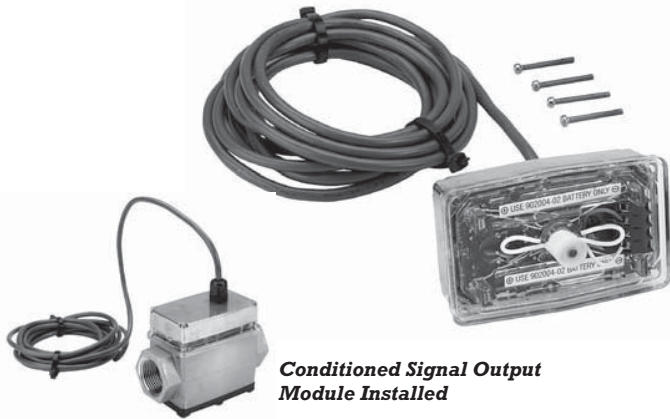


BUY SMART . BUY VALUE . BUY GPI



G2 Meter Modules

Conditioned Signal Output Module (Part No. 113435-1)



Conditioned Signal Output Module Installed

This module provides an unscaled, amplified, digital signal capable of transmission up to 5,000 ft. There is no need for additional signal conditioning or amplification devices to achieve the desired digital signal. Use with G2 Turbine only.

The module is factory assembled for Open Collector signal output and operates from an external 9 to 35 volt power source. By changing terminal connections and adding a battery kit, the module provides a self-powered 6-volt Square Wave signal.

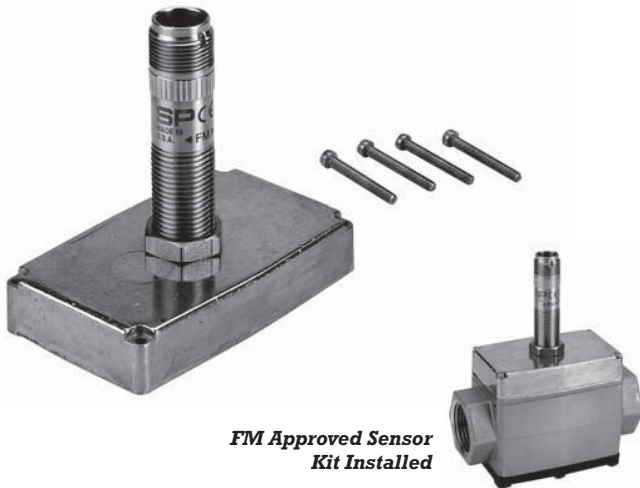
Features and Benefits:

- ✓ Provides two digital signals: Open Collector or 6-volt Square Wave and can communicate with most process control devices.
- ✓ Operating temperature range of +40°F to +212°F (-40°C to +100°C).
- ✓ Can be externally powered or battery powered.

SPECIFICATIONS

Connector:	Hubble PG7
Signal Type:	NPN
Power:	External 9 to 35 VDC, approximately 1 mA
Connection:	Three wire
Frequency:	0 to 750 Hz
Cable:	10 ft. (3 m) Belden #9363

FM Approved Sensor Kit (Part No. 120077-01)



FM Approved Sensor Kit Installed

The Factory Mutual (FM) Approved Sensor is designed for use with any G2 Turbine Meter when rotor pulse data is required and the meter is located within a hazardous location. It is ideal for indoor or outdoor applications, and the output signal is compatible with existing GPI remote electronics. Use with G2 Turbine only.

This kit includes pickup, screws, coverplate and jam nut. Connection Kit sold separately.

Features and Benefits:

- ✓ Mounts to any G2 meter housing via the coverplate.
- ✓ Operating temperature range of -20°F to +160°F (-29°C to +71°C).
- ✓ Factory Mutual (Intrinsic Safe) Class 1, Div. 1, Groups ABCDEFG.

SPECIFICATIONS

Signal Type:	Open Collector
Power Source:	8 to 30 VDC
Supply Current:	≤ 15 mA
Frequency:	5 to 10k Hz
Cable:	None provided - 3 conductor required for use

APPROVALS



BUY SMART . BUY VALUE . BUY GPI



G2 Meter Modules

4-20 mA Module (Part No. 125100-1)



4-20 mA Module Installed

Combine the 4-20 mA Module with an Industrial Grade Turbine and Computer Electronics to provide an industry standard analog signal for connection to a wide variety of chart recorders, display equipment and process control equipment.

This module outputs an analog signal which is directly proportional to the frequency of the digital output. With some simple adjustments, you can scale the module to represent whatever range is desired. Kit comes with circuit, assembly, enclosure and screws.

Features and Benefits:

- ✓ Communicates with most analog process control devices.
- ✓ Operating temperature range of +14°F to +140°F (-10°C to +60°C).
- ✓ Module installs on all turbine sizes.
- ✓ Provides external power to computer electronics.

SPECIFICATIONS

Signal Type:	Analog
Power:	Loop Powered
Voltage:	7 to 30 VDC
Strain Relief:	Hubble PG7
Cable:	10 ft. (3 m), Belden #9363

Pulse Access Module (Part No. 125060-1)



Pulse Access Module Installed

The Pulse Access Module provides an unscaled, digital signal from your GPI meter by accessing circuitry from the on-board computer readout.

This kit comes complete, ready to install, with a circuit assembly, coverplate assembly and 10 ft. of cable.

The Pulse Access Module requires both a GPI Turbine and an 09 Computer Electronics which are sold separately.

Features and Benefits:

- ✓ Provides a digital Open Collector signal.
- ✓ Operating temperature range of +14°F to +140°F (-10°C to +60°C).
- ✓ Can transmit signal up to 5,000 ft.
- ✓ Communicates with most digital process control devices and its easy to install.

SPECIFICATIONS

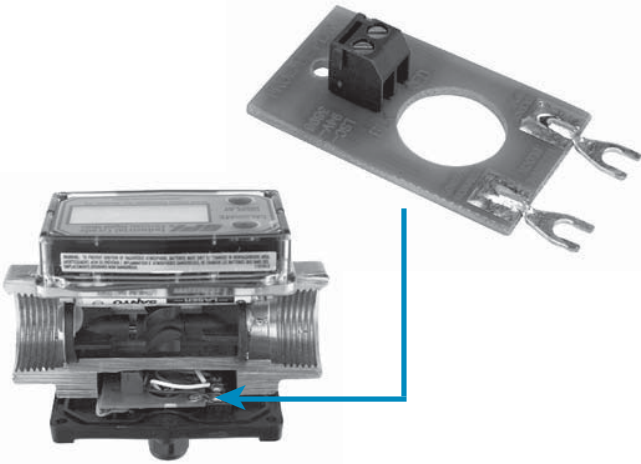
Signal Type:	Square Wave Pulse
Voltage:	0 to 60 VDC
Frequency:	0 to 750 Hz
Strain Relief:	Hubble PG7
Cable:	10 ft. (3 m) Belden #9363

BUY SMART . BUY VALUE . BUY **GPI**



G2 Meter Modules

External Power Module (Part No. 125070-1)



Combine the External Power Module and the GPI Pulse Access Module to provide external power capabilities to a GPI Electronic Digital Meter.

The module is designed to provide regulated power to the Computer Electronics. The batteries then become a backup or auxiliary power source.

If desired, a pulse output may be accessed. The unscaled, digital signal is capable of transmission up to 5,000 ft.

Features and Benefits:

- ✓ Internal batteries become a backup or auxiliary power source.
- ✓ Operating temperature range of +14°F to +140°F (-10°C to +60°C).
- ✓ Allows to 7 to 30 volt external power.

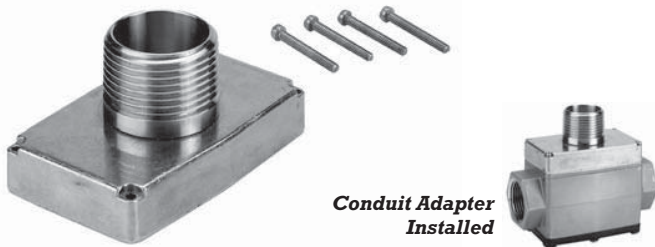
SPECIFICATIONS

Voltage:	7 to 30 VDC @ 1 mA
-----------------	--------------------



G2 Meter Accessories

Conduit Adapter Kit (Part No. 113437-01)



The Conduit Adapter allows you to enclose wiring from the magnetic pickup. The kit includes a turbine meter cover with a 1 inch male NPT conduit fitting and screws for plastic or metal installation.

90° Display Adapter Kit (Part No. 125260-1)



90° Display Adapter Kit allows for horizontal readout of vertical meters. Includes adapter, O-ring, screws and foam spacers required for installation.

Can be ordered with a meter. Specify -19 option with meter order.

510 Conversion Kit (Part No. 11344001)



This new kit combines the Conduit Adapter with a magnetic pickup to allow easy installation of the 510 Series Displays to a G2 Meter.

Pulse Access Dust Cover (Part No. 125080-1)



Used with the Remote Kit, this part replaces the dust cover that houses the electronic display. This module provides a digital, open collector output signal. Use this combination to communicate to a PLC or other piece of electronic equipment.

GPI Electronics Programmer (Part No. 113800-06)



The GPI Electronics Programmer is a system composed of a small USB interface unit, a USB cable, and a software program. This kit is perfect for reconfiguring multiple GPI Electronics for the first time or when changing the configuration over the life of the meter.

BUY SMART . BUY VALUE . BUY **GPI**