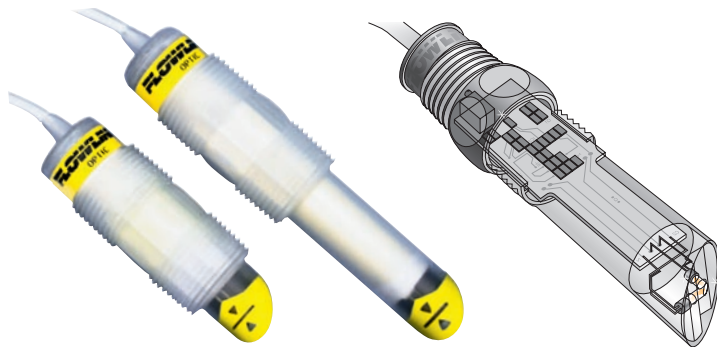


Application



The general purpose optic leak switch provides reliable leak detection in and around secondary containment sumps, tanks and piping systems with a 1A relay output. Media examples include sulfuric acid, water and diesel. The submersible polypropylene or PFA liquid leak detection sensor is mounted through the wall or within the interstitial space.



Features

- ✓ Submersible polypropylene or PFA Teflon® sensor and cable for corrosive liquids
- ✓ 60VA relay selectable NO or NC via power supply wiring polarity
- ✓ Fail-safe leak sensor inverts wet to alert user for maintenance

Key Benefits

- ✓ Ideal for detecting leaks in secondary containment tanks and pipes
- ✓ Switch fail-safe is “wet” preventing a switch from failing undetected
- ✓ Useful in many corrosive liquids
- ✓ Requires small amount of liquid to detect leak

Compatible Products

Switch-Pro™
Remote Level Controller



Application

Available in general purpose classification, the level controller is offered in three configurations for pump and valve control. The LC40 accepts one level sensor input and provides one 10A relay. The LC41 accepts two level sensor inputs and provides one latching 10A relay for automatic fill or empty control. The LC42 accepts three level sensor inputs with one latching 10A relay output for automatic fill or empty control, and a second non-latching 10A relay for high level alarm or low level alarm. For field mount installation, add a single or dual indicator NEMA box.

Switch-Pro™
Compact Level Controller



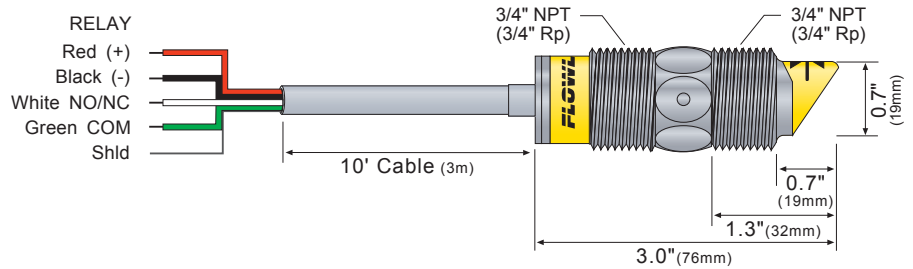
Application

The general purpose level controller is offered in two configurations for pump and valve control. The LC10 accepts one level sensor input and provides one 16A relay for high level control or low level control. The LC11 accepts two level sensor inputs and provides one latching 16A relay for automatic fill or empty control. The optional flash alarm brings attention to level alarm conditions. Package this level controller with our liquid level switch sensors and fittings.

Specifications

Orientation:	Universal
Accuracy:	± 1mm in water
Repeatability:	± 0.5mm in water
Supply voltage:	12-36 VDC
Consumption:	25 mA maximum
Contact type:	(1) SPST relay
Contact rating:	60 VA, 1A maximum
Contact output:	Selectable NO / NC
Process temp.:	F: -40° to 176° C: -40° to 80°
Pressure:	150 psi (10 bar) @ 25° C, derated @ 1.667 psi (0.113 bar) per °C above 25° C
Sensor rating:	NEMA 6 (IP68): PP NEMA 4X (IP65): PFA
Sensor material:	-1XX5: Polypropylene -2XX5: PFA
Cable jack. mat.:	-1XX5: Polypropylene -2XX5: PFA
Cable type:	4-conductor, shielded #22 AWG
Cable length:	10' (3m)
Process mount:	3/4" NPT (3/4" G/Rp)
Mount. gasket:	Viton® (G version only)
Classification:	General purpose
Compliance:	CE

Dimensions



Fittings

For optimum performance, install the level sensor using the below recommended or direct equivalent fittings.

P/N	Description
Switch-Pak Single-Point Switch Fitting	
LM45-7001	2" NPT Plug, 3/4" NPT Adapter & Nipple, PVC
LM45-1001	2" NPT Plug, 3/4" NPT Adapter & Nipple, PP
LM45-5001	2" NPT Plug, 3/4" NPT Adapter & Nipple, PVDF
Smart Trak Multi-Point Switch Fitting	
LM10-1201	2' Track, 2" NPT Plug, 3/4" NPT Nipple, PP
LM10-1401	4' Track, 2" NPT Plug, 3/4" NPT Nipple, PP
LM10-1601	6' Track, 2" NPT Plug, 3/4" NPT Nipple, PP
LM10-1801	8' Track, 2" NPT Plug, 3/4" NPT Nipple, PP
LM10-1001	10' Track, 2" NPT Plug, 3/4" NPT Nipple, PP
LM10-1101	1m Track, 2" NPT Plug, 3/4" NPT Nipple, PP
LM10-1301	2m Track, 2" NPT Plug, 3/4" NPT Nipple, PP
LM10-1701	3m Track, 2" NPT Plug, 3/4" NPT Nipple, PP
Smart Trak Level Switch Car Kit	
LM30-1001	Switch Car Kit, 3/4" NPT, Polypropylene
LM30-1061	Switch Car Kit, 3/4" Rp, Polypropylene
LM52-2890	2" NPT Bulkhead Fitting, PVC
Side-Mount Bracket	
LM50-1001	2" NPT Bracket, Polypropylene

Ordering

LO10- 5

- Sensor material (1)**
- 1 PP
 - 2 PFA
- Sensor length**
- 3 Short
 - 4 Long
- Process mount (2)**
- 0 NPT (US)
 - 2 G / Rp (Metric)

Notes

- To special order a 25' (7.6m) or 50' (15.2 m) level sensor cable, place the cable length at the end of the part number (ie: LO10-1305-25'). For PP, add \$20 for 25' (7.6m) or \$40 for 50' (15.2m) to the price. For PFA, add \$75 for 25' (7.6m) or \$150 for 50' (15.2m) to the price.
- The short Metric level sensor has conical Rp threads on both sides of the wrench flat. The long Metric level sensor has straight G threads on the sensing side, and conical Rp threads on the cable side of the wrench flat.