

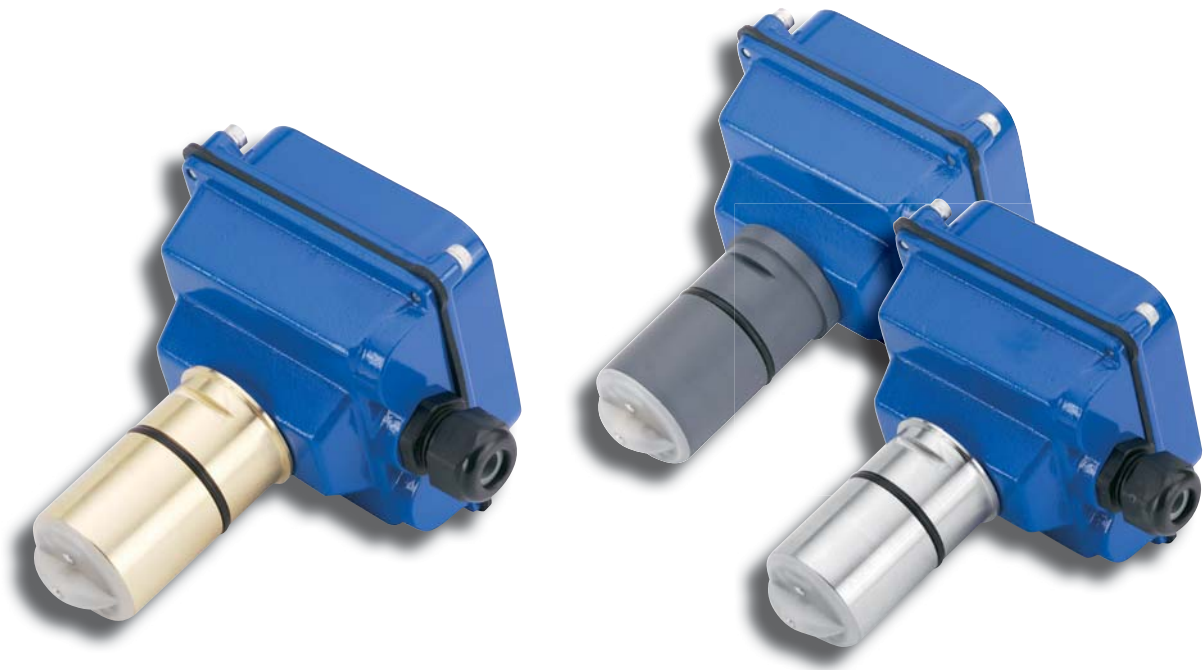


### APPLICATIONS

- Conductive fluids
- Small pipe applications (1"-12")
- Industrial processes
- Chemical metering pumps
- Fertigation

### FEATURES

- No moving parts
- Economical
- Durable
- Easy to install
- Easy to maintain



### GENERAL INFORMATION

EX80-Series insertion electromagnetic flowmeters are designed for use with conductive liquids in 1 to 12" pipe. A choice of materials (stainless steel, brass, and PVC) allows the meter to adapt to a range of temperature, pressure, and corrosive environments.

The EX80 is highly suitable for difficult applications with changing viscosities and pulsating flows, such as air-driven diaphragm pumps. With no moving parts, these meters can be used in "dirty" applications where debris would foul a mechanical meter. Like all magmeters, when used in chemical injection applications, these meters should be installed upstream of the chemical line (or far enough downstream to allow complete mixing of fluids before the meter).

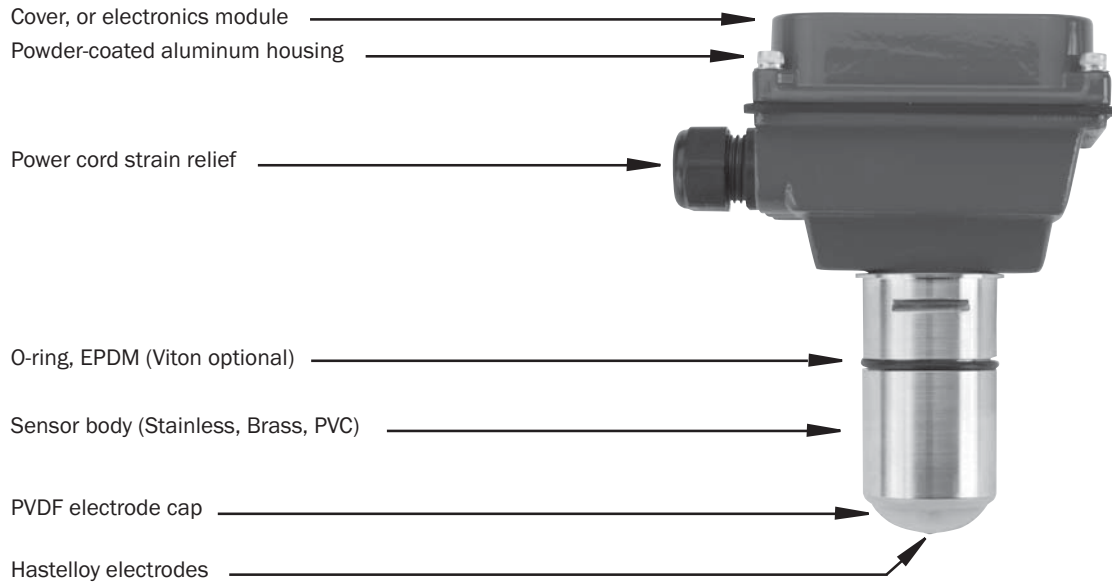
Designed for modularity and versatility, the EX80-Series has a current-sinking pulse output that can be combined with the appropriate transmitter or indicator for the application. For

analog output and display of rate and total, an FT420 can be used. Blind analog output is provided by the AO55. The PD10 can be used to divide the pulse for pacing chemical metering pumps and the DL76 (data logger) is also compatible. Modules can be wall- or meter- mounted. If the EX80 meter is used with a programmable controller, the output signal can be fed direct, with no other conditioning required.

EX80-Series fixed depth insertion meters require special fittings. Factory installation in the fitting ensures correct depth placement in the pipe. The EX80-Series meter can be ordered in a full power model when a source of electricity is available, or in a low power model that can run on an external battery with solar panel.

Reverse flow output and immersibility are optional.

## FEATURES



## SPECIFICATIONS\*

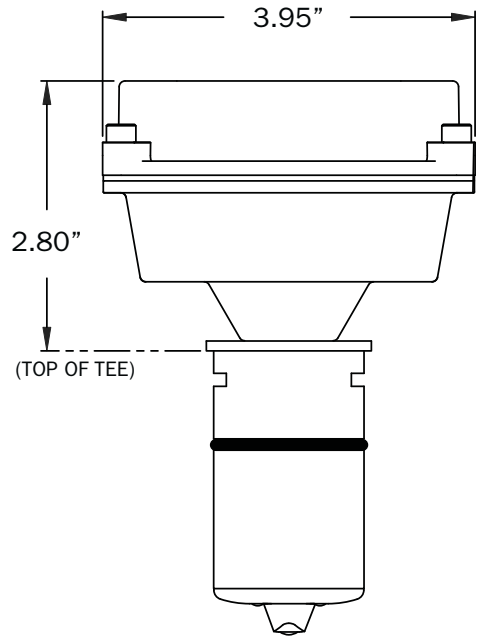
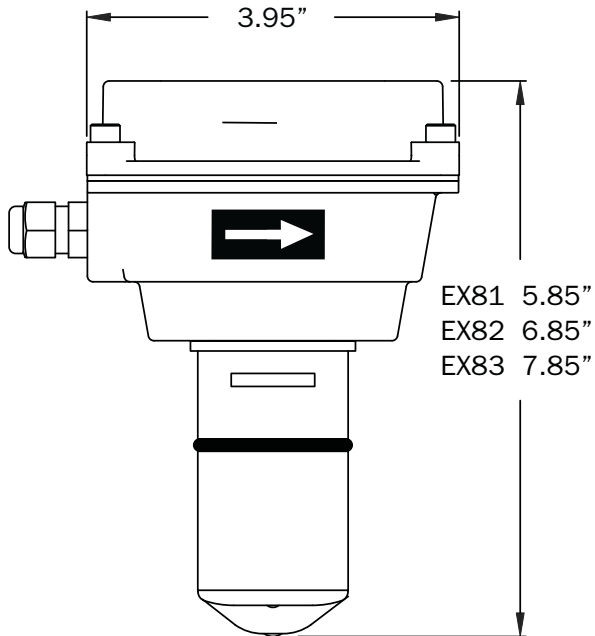
<b>Pipe Size</b>		1" to 12"
<b>Materials</b>	<b>Mechanical</b>	316 SS/Brass/PVC
	<b>Electrodes</b>	Hastelloy
	<b>Housing</b>	Cast powder-coated aluminum
	<b>Electrode Cap</b>	PVDF (Kynar)
	<b>O-Ring</b>	EPDM standard (Viton optional)
<b>Power</b>	<b>Full Power</b>	12 - 25 Vdc, 250 mA
	<b>Low Power</b>	12 - 25 Vdc, 40 mA average with 250 mA peaks
<b>Flow Rate</b>		0.28 - 20 ft/sec (0.08 - 6.09 m/sec)
<b>Temperature</b>	<b>Ambient Temp</b>	0° to 160° F (-17° to 72° C)
	<b>Fluid Temp : Brass/SS</b>	32° to 200° F (0° to 93° C)
	<b>Fluid Temp: PVC</b>	32° to 130° F (0° to 55° C) @ 0 psi
<b>Pressure</b>	<b>Brass/SS</b>	200 psi (13.8 bar)
	<b>PVC</b>	150 psi (10 bar) @ 75° F
<b>Minimum Conductivity</b>		20 microSiemens/cm
<b>Calibration Accuracy</b>		+/- 1% of full scale
<b>Output</b>		Square wave pulse, opto isolated, 550 Hz @ 20 ft/sec
<b>Empty Pipe Detection</b>		Software, defaults to zero flow
<b>Regulatory</b>		CE Mark (Stainless Steel, Brass and Standard Power Only)

\*Specifications subject to change • Please consult our website for current data ([www.seametrics.com](http://www.seametrics.com)).

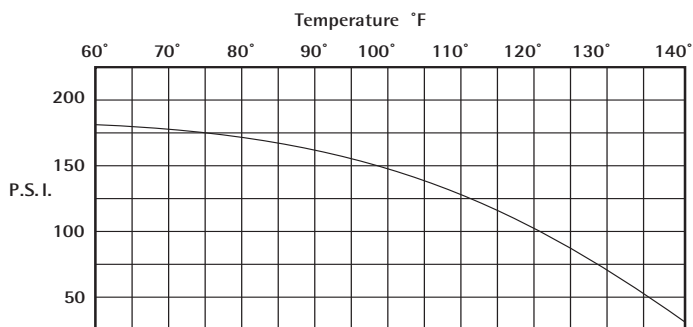


# EX80-SERIES Insertion Electromagnetic Flow Sensor

## DIMENSIONS



## PRESSURE VS. TEMPERATURE (PVC)



## FLOW RANGE (in GPM)

Nominal Pipe Size	1"	1-1/2"	2"	3"	4"	6"	8"	10"	12"
Min	.69	1.5	2.7	6.2	11	25	43	68	99
Max	49	110	196	440	783	1760	3130	4900	7050

## EX80-COMPATIBLE FITTINGS



	Tee	Saddle	Weld/Braze	Sweat Tee
<b>Bronze</b>	1-4"	3-4"	3-12"	1-4"
<b>PVC</b>	1-2"	3-8"	x	x
<b>Stainless Steel</b>	1-2"	x	3-12"	x
<b>Carbon Steel</b>	1-2"	x	3-12"	x
<b>Ductile Iron</b>	x	3-12"	x	x

## HOW TO ORDER

MODEL	MATERIAL	OPTIONS	FITTINGS
1" - 3" pipe = <b>EX81</b> 4" - 10" pipe = <b>EX82</b> 12" pipe = <b>EX83</b>	PVC = <b>P</b> Brass = <b>B</b> 316 Stainless = <b>S</b>	Reverse flow output = <b>-15</b> *Immersible = <b>-40</b> Low power = <b>-50</b> Viton O-ring = <b>-125</b>	Select from chart above (Fitting Type and Material)
*Consult factory for suitable applications			
ACCESSORIES			
Rate and Total Indicator = <b>FT420</b>	Extra Cable (specify length) = <b>31010</b>	Power Converter, Plug-In, 115 Vac, 24 Vdc = <b>PC3</b>	
Blind 4-20 mA Converter = <b>AO55</b>	Dual Power Supply, 115 Vac, 12/24 Vdc = <b>PC42</b>	Solar Panel Kit, 5 Watt = <b>RSP5</b>	
Data Logger = <b>DL76</b>			
Pulse Divider = <b>PD10</b>			

## CONTACT YOUR SUPPLIER