



SERIES 1900C

LOOP POWERED DIGITAL INDICATORS



Noshok Series 1900 Compact Digital Indicators provide digital display of any desired unit of pressure, temperature, level, force or flow measurement. Their 3 1/2 digit display has a span range of 0 to 1999 and is available in a positive image reflective LCD or in an optional back-lit version.

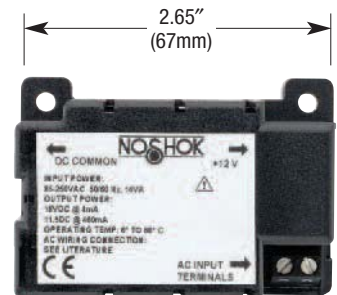
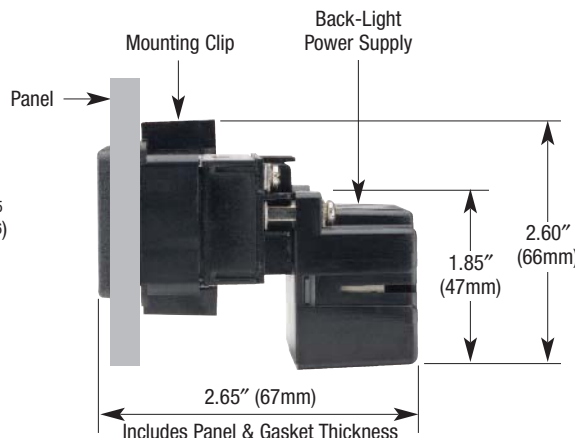
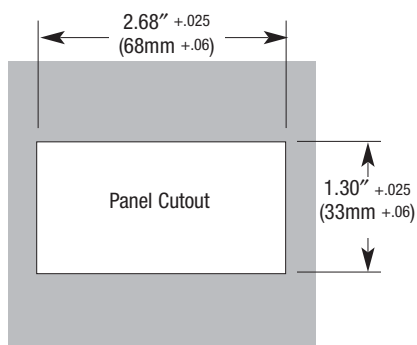
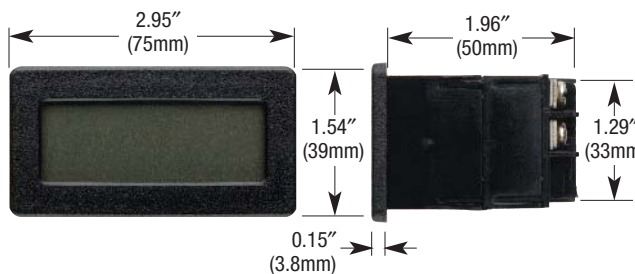
They are housed in a compact, lightweight, impact resistant plastic case with a clear viewing lens. The sealed front panel installation also meets NEMA 4x/IP65 specifications for wash down and dusty environments, when properly installed.

NOSHOK calibrates all of its indicators to your transducer at no additional cost. Simply tell us how you want it set up, then plug it in and go; no muss, no fuss, no charge!

FEATURES

- Factory scaled and calibrated
- Dual range 4 mA to 20 mA or 10 mA to 50 mA
- 3 1/2 digit, 0.6" high display
- Positive image reflective LCD—standard
- Red or yellow/green back-lit versions—optional
- Span and zero offset capabilities
- Negative pressure and overpressure indication
- Selectable decimal point position
- NEMA 4X, IP65 sealed front bezel
- Fits DIN standard cut-out 2.68 (68mm) x 1.30 (33mm)

Outline Dimensions



1900C-3/1900C-4: Loop Powered Display with backlight power supply

SPECIFICATIONS

Display	3 1/2 digit (- 1999 to 1999), 0.6" tall LCD
Display type	Positive image reflective LCD standard; red or yellow/green backlight transfective LCD optional
Power supply	1900C-1/1900C-2: Loop Powered, 4 mA to 20 mA or 10 mA to 50 mA 1900C-3/1900C-4: Loop Powered Display w/backlight power supply 115/230 Vac, 50/60 Hz, 3VA required for backlight power supply, unregulated
Input signal	4 mA to 20 mA or 10 mA to 50 mA
Input impedance	160 ohms max @ 20 mA; 60 ohms max @ 50 mA
Maximum input current	100 mA
Span range	0 to 1999
Offset range	-1999 to 1999
Linearity	±0.1 % to 1 digit
Reading rate	2.5 Readings per second, nominal
Response time	1.5 seconds to settle for a step change
Temperature ranges	Storage -40 ° to 175 °F/-40 ° to 80 °C Operating 32 ° to 140 °F/0° to 60 °C
Thermal effect (reference temperature 68°F/20°C)	Span: 100PPM/°C Offset: 0.2 digits/°C
Electromagnetic rating	CE compliant to EMC norm EN 61326:1997/A1:1998 RFI, EMI and ESD protection

ORDERING INFORMATION

SERIES 1900C

MODEL 1900C

INDICATION	1	Positive image reflective LCD	3	Yellow/green backlight transfective LCD with backlight power supply
	2	Positive image reflective LCD backlight	4	Red backlight transfective LCD with backlight power supply

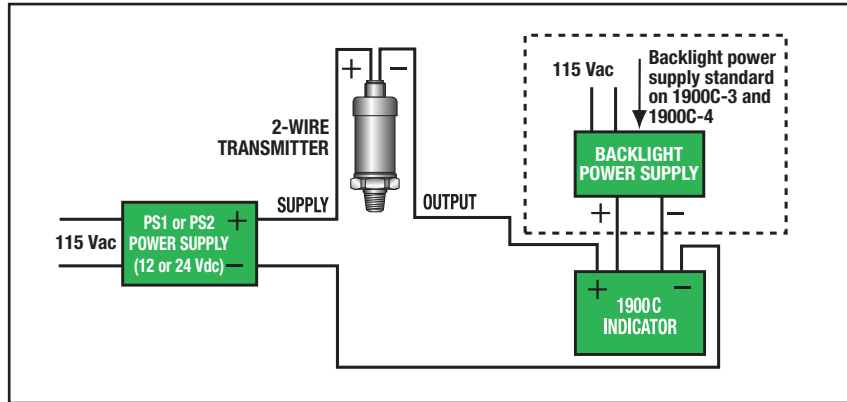
Please consult your local NOSHOK Distributor or NOSHOK, Inc. for availability and delivery information.

OPTIONAL POWER SUPPLIES		
MODEL	INPUT	OUTPUT
PS1	115 Vac	12 Vdc
PS2	115 Vac	24 Vdc

EXAMPLE

1900C - 4

Model1900C
IndicationRed backlight LCD



Typical wiring for the 1900C including the optional back light feature. See the photos below showing both the green and red color backlight versions.

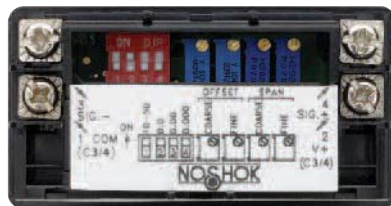
Green Backlight Version
1900C-3



Available PS1 (12 Vdc) and PS2 (24 Vdc) power supply for powering a typical 2 wire loop or 3 wire configuration.



Red Backlight Version
1900C-4



1900C-3/1900C-4: Loop Powered Display with backlight power supply



1900C-1/1900C-2: Loop Powered